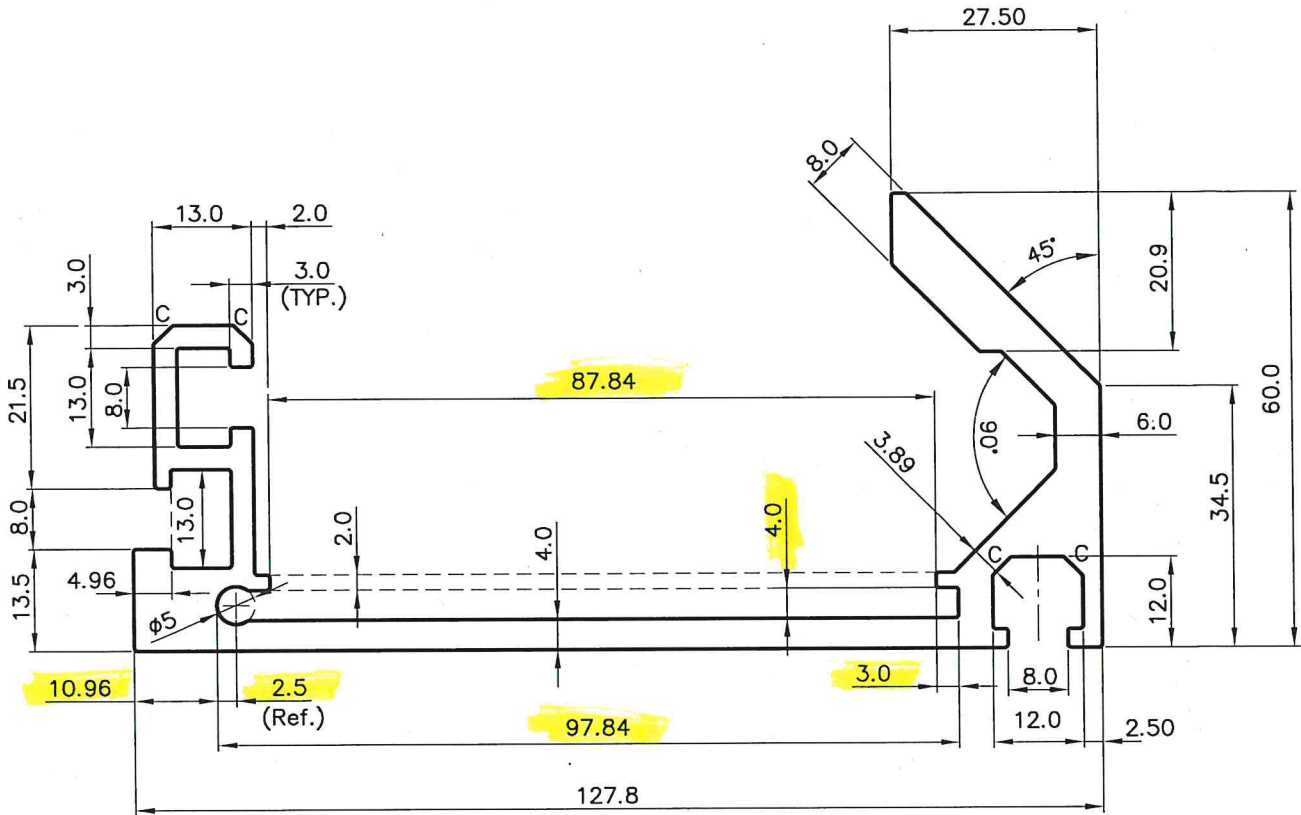


PROPOSED DRAWING

Q00236



NOTE:-

C = 2.5x45° CHAMFER



SYMBOL OF QUALITY
AN ISO 9001 COMPANY

JINDAL ALUMINIUM LTD.
BHIWADI-301019 (INDIA)

	NAME	DATE
DRAWN	ASHUTOSH	03-12-2022
CHECKED	<i>Junil</i>	3-12-22
APPROVED	<i>Man</i>	03-12-22

1. ALL DIMENSIONS ARE IN mm.
2. ROUND OFF ALL SHARP CORNERS WITH 0.40 mm.
3. TOLERANCES WILL BE AS PER BS:EN-755-9 , UNLESS OTHERWISE SPECIFIED

SCALE	1:1
AREA mm ²	1253.66
PERIMETER mm.	562.24
WEIGHT kg/m	3.385

PARTY'S NAME	M/s ALTOS ENGINEERS
PARTY'S DRAWING No.	AS PER DRAWING (Q00236)
ALLOY & TEMPER	6005-T6
DESCRIPTION	--

DRAWING No.	SECTION No.