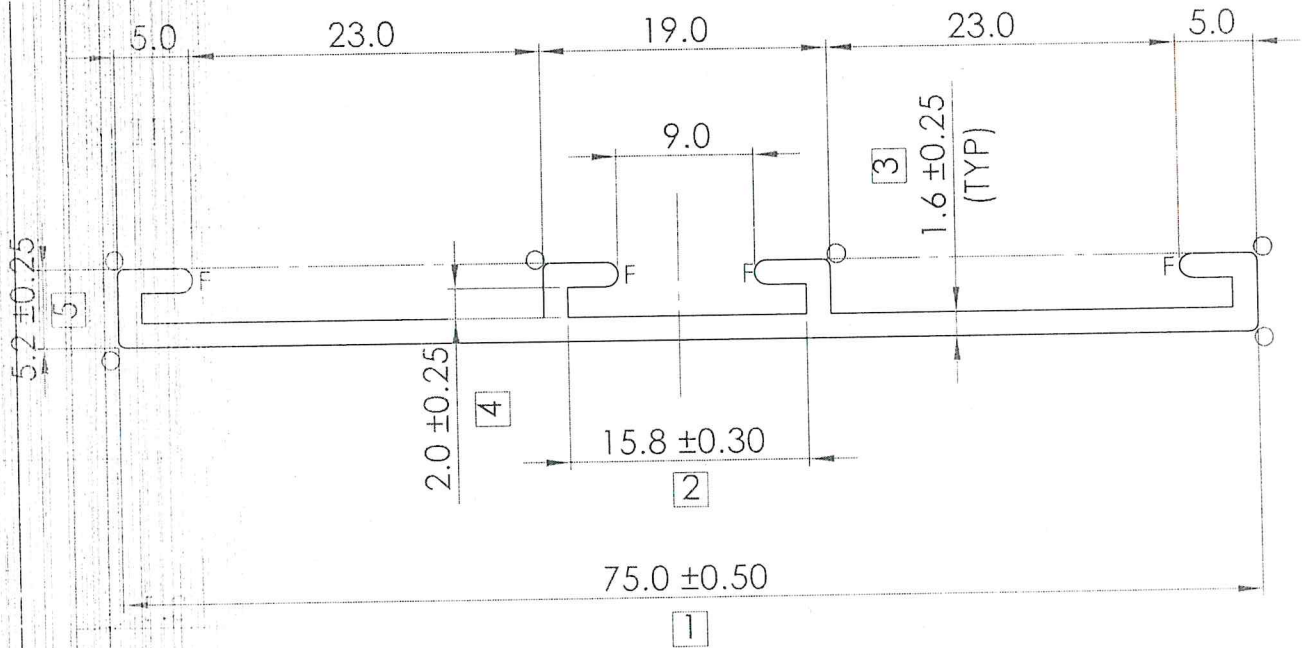


NOTE:-

$O = 0.50R$

F= Full Radius



LOCATION:- P3 - 1HOLE
 ALL DIMENSION ARE IN M.M.
 UNSPECIFIED CORNER RADIUS:0.40

TOL. AS PER BS EN 755-9:2008
 UNLESS SPECIFIED

TWIST = ±1/4°/300 M.M./M.
 STRAIGHTNESS = 1.50 M.M./MTR.
 ANGULARITY = ±1.5°

PARTY SAMPLE & DRG. DRG.		PARTY NAME M/S UNICOS			REF:-AS PER EMAIL ON Dt.-02.08.10		
		DRAWN	DHARMVIR	05.08.10	AREA	163.40	MM ²
		CHECKED	<i>[Signature]</i>	25.8.10	WEIGHT	0.441	KG/M.
		APPROVED	<i>[Signature]</i>	25.8.10	WT. RANGE	-----	KG/12'
		SCALE	1:1 & 2:1	DATE	ALLOY	6063-T6	
00	(REF.)	CRITICAL DIM. *			MAL NO	11850	
REV. STATUS	REV. NO.	DESCRIPTION	SIGN DATE	PERIMETER	INT.	SEC.NO.	D-5025
		REVISION		EXT.	205.16		