

4

3

2

1

D

D

C

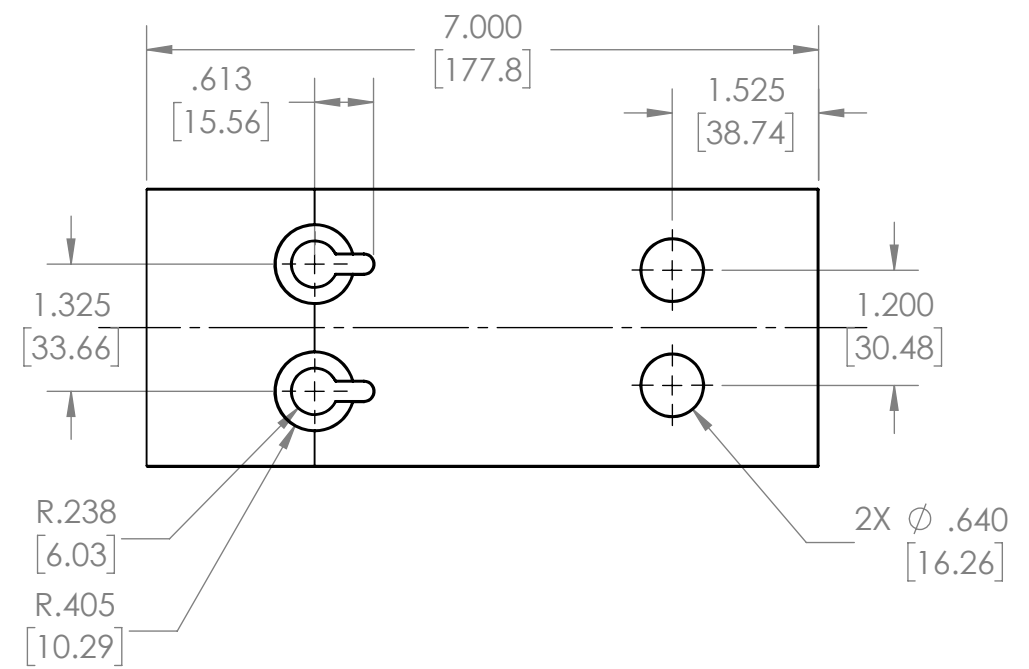
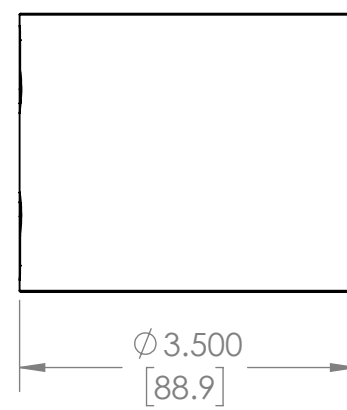
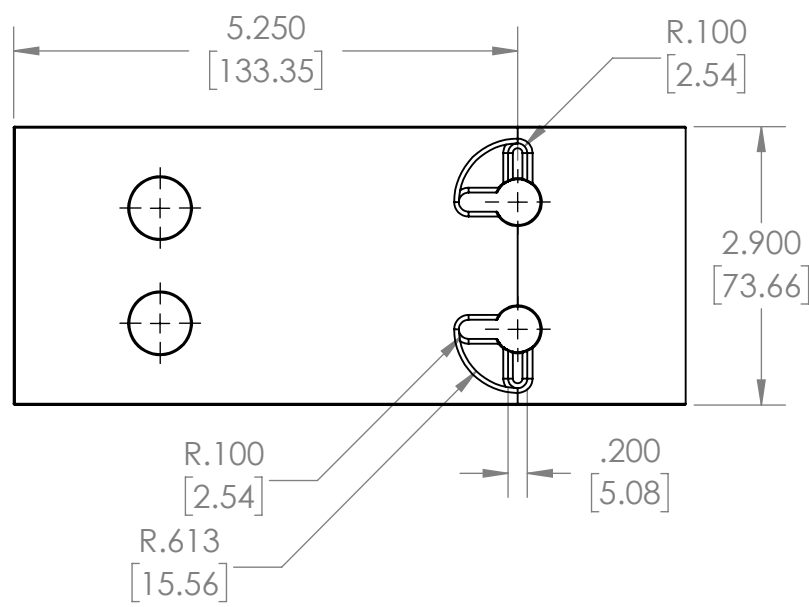
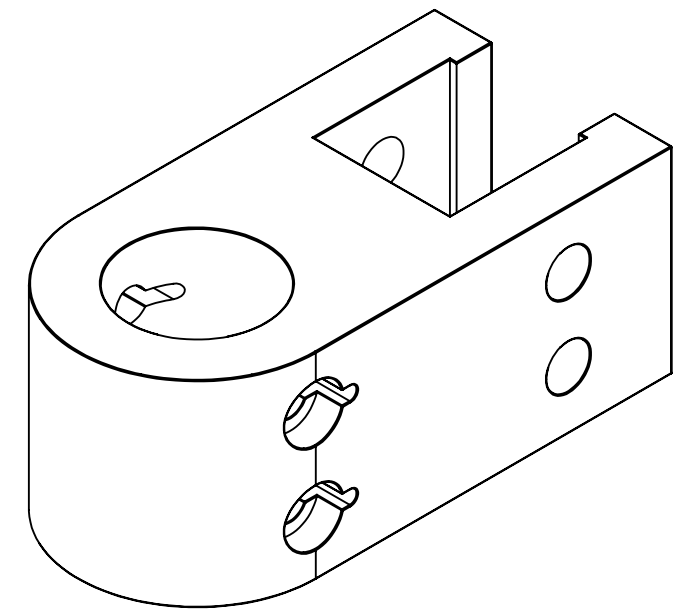
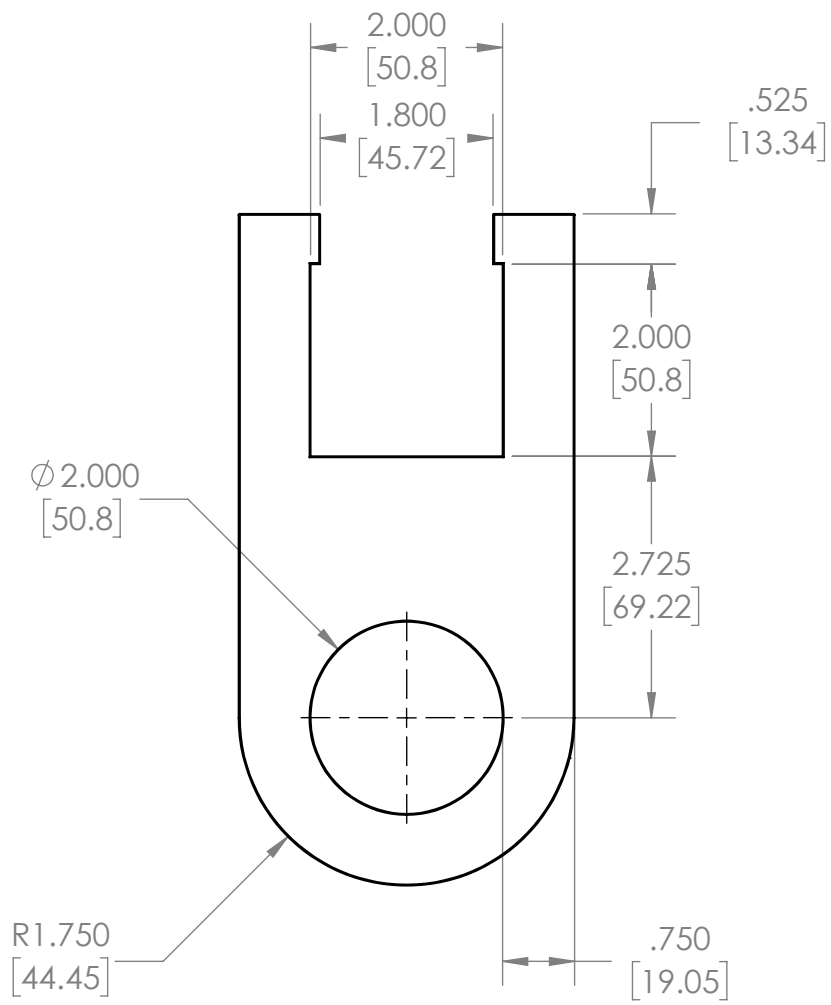
C

B

B

A

A



NOTES:

1. MATERIAL: 6061-T6 (SS)
2. VOLUME: 41.7431 in<sup>3</sup>
3. MASS: 4.0718 lbs
4. TOWSMART:
  1. FINISH: DARK GREY
  2. SURFACE TREATMENT: ANODIZED SANDBLAST
5. ULTRA-TOW:
  1. FINISH: SODA BLASTED
  2. SURFACE TREATMENT: BARE ALUMINUM

TOLERANCES  
UNLESS OTHERWISE SPECIFIED  
DECIMALS .X ± .015  
.XX ± .010  
.XXX ± .005  
ANGLES ± 0.5  
DIMENSIONS ARE IN  
INCH [MM]

DESIGNED BY JRP DATE 12/14/2022

APPROVED BY DATE

THIRD ANGLE PROJECTION  
DO NOT SCALE DRAWING

3D CAD FILE NAME  
110302

SIZE  
**B**

SCALE 1:2

SHEET 1 OF 2

4

3

2

1



D

D

C

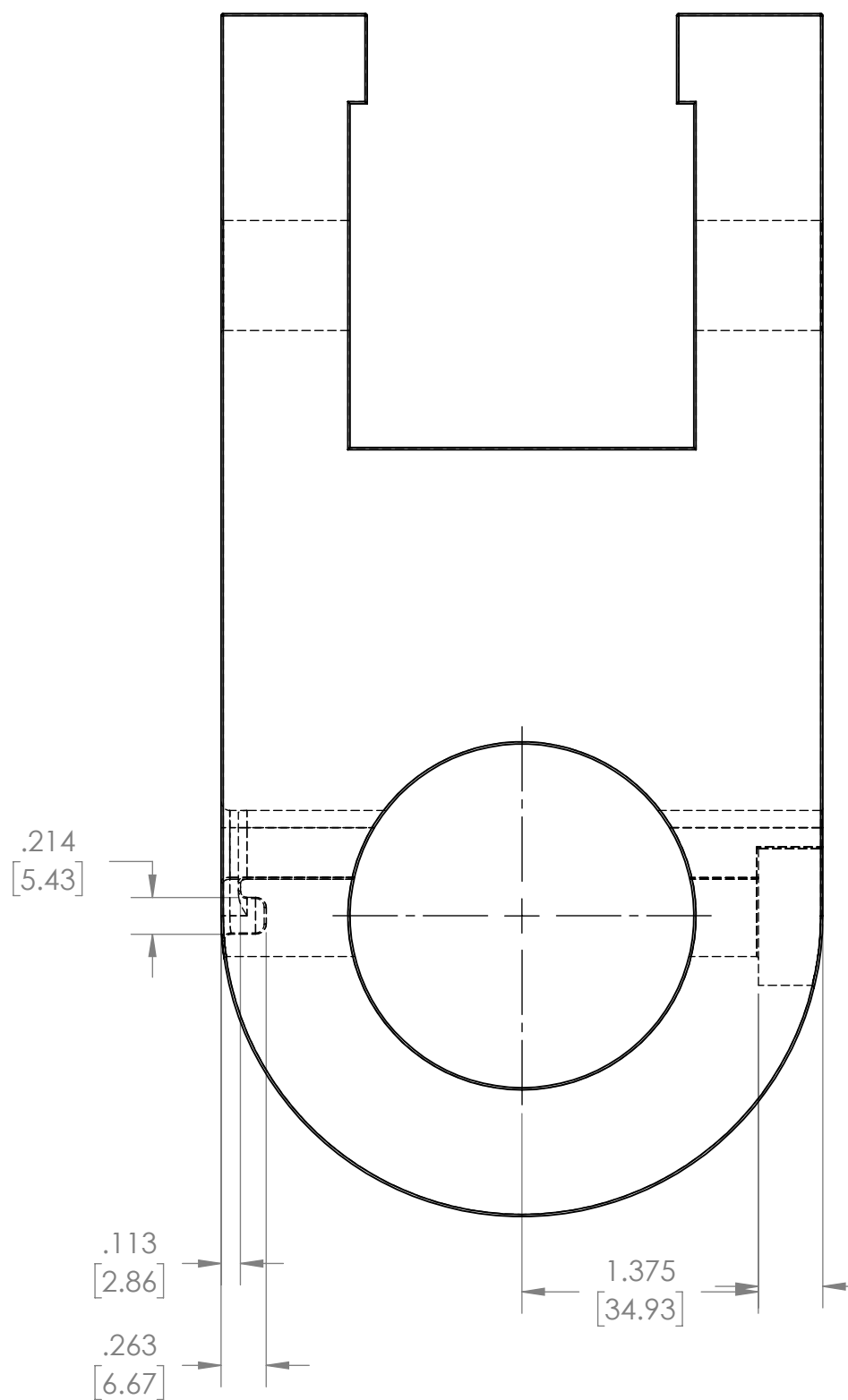
C

B

B

A

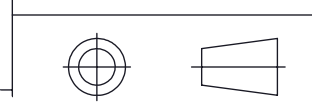
A



TOLERANCES  
UNLESS OTHERWISE SPECIFIED  
DECIMALS .X ± .015  
.XX ± .010  
.XXX ± .005  
ANGLES ± 0.5  
DIMENSIONS ARE IN  
INCH [MM]

DESIGNED BY JRP DATE 12/14/2022

APPROVED BY DATE



THIRD ANGLE PROJECTION  
DO NOT SCALE DRAWING

3D CAD FILE NAME

110302

SCALE

1:1

SHEET

2 OF 2