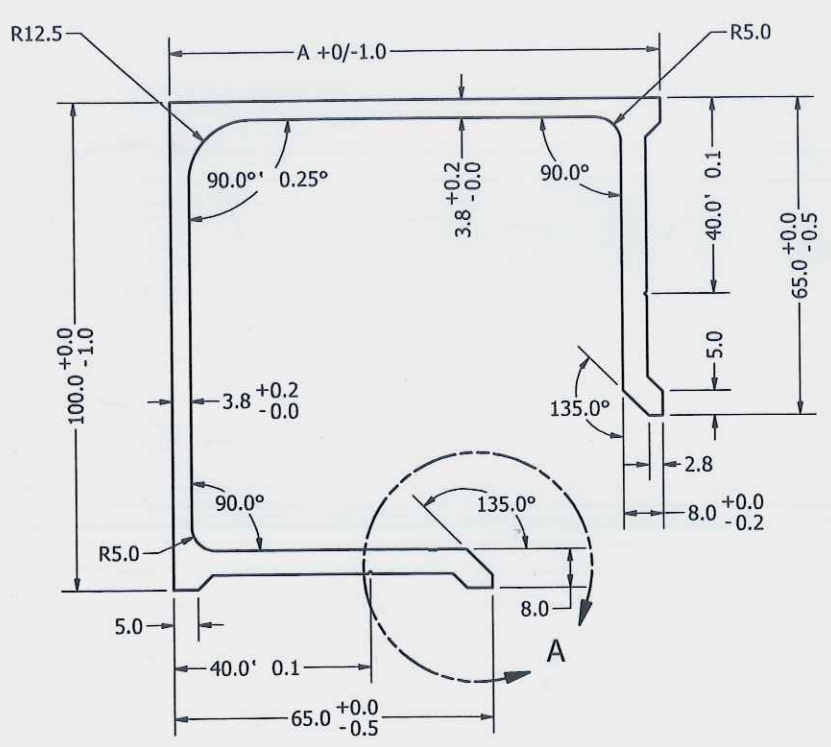


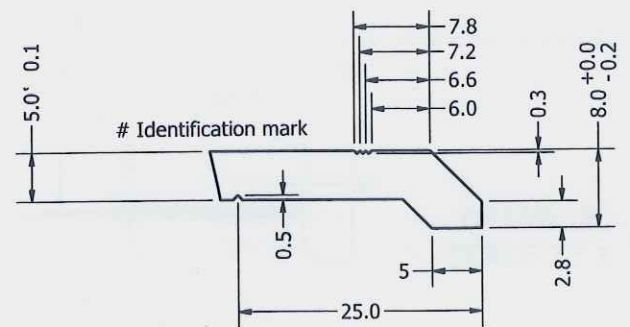
6 5 4 3 2 1



29639  
201868

S. No.	Final Size, Extrusion IC 100 X A, mm	Wt. of Extrusion Section Kg / Running meter
1	IC 100 X 100	3.858
2	IC 100 X 125	4.109
3	IC 100 X 150	4.365
4		

- NOTE -
- 1) All dimensions are in mm.
  - 2) Material: Aluminum Alloy 6061 T6, unless otherwise specified.
  - 3) All extrusion shall conform to BS-EN 755-9: 2001
  - 4) Angular Tolerances  $\alpha = ' 0.25\text{-Degree}$
  - 5) All extrusion, that will be supplied, shall be with Test Certificate & patrol inspection report.



DETAIL A  
SCALE 2 : 1

REVISION HISTORY				
ZONE	REV	DESCRIPTION	DATE	APPROVED
	R2			

DRAWN SSJ	12-04-2023	SB SCAFFOLDING (INDIA) PVT. LTD.		
CHECKED		TITLE		
QA		IC Sections 65 x 100 X A mm		
MFG				
APPROVED				
	SIZE A3	DWG NO	REV R2	
	SCALE 1 : 1	SHEET 1 OF 1		

6 5 4 3 2 1