



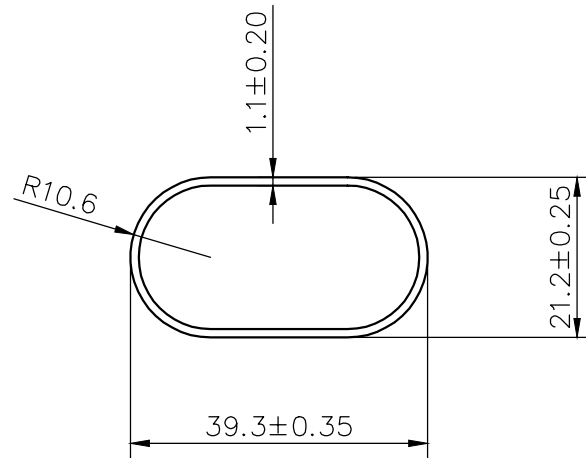
**JINDAL ALUMINIUM LTD.**

BHIWADI-301019 (INDIA)

**PROPOSED DRAWING**

**Q00745**

DATE:- 12.07.2023



Area: 109.281 Sq.mm. | Perimeter: 102.802 mm. | Weight: 0.295 Kg./mtr.