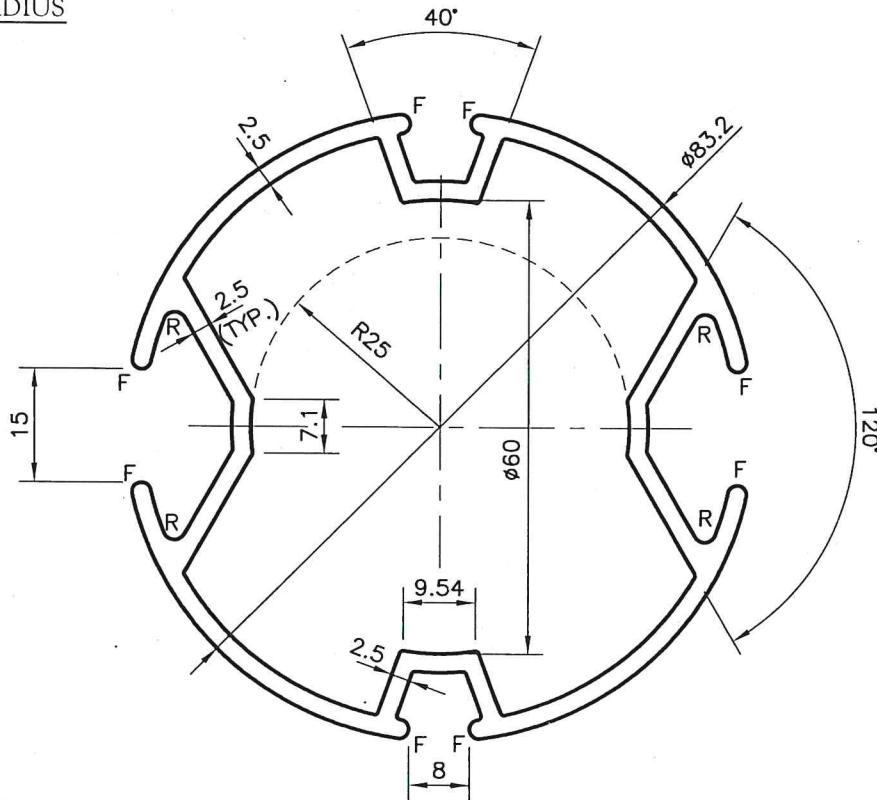


PROPOSED DRAWING

NOTE:-

R= 1.50R

F= FULL RADIUS



SYMBOL OF QUALITY
AN ISO 9001 COMPANY

JINDAL ALUMINIUM LTD.
BHIWADI-301019 (INDIA)

	NAME	DATE
DRAWN	ASHUTOSH	22-11-2022
CHECKED		
APPROVED		
SCALE	1:1	
AREA mm ²	849.33	
PERIMETER mm.	377.55	
WEIGHT kg/m	2.293	
DRAWING No.	SECTION No.	

1. ALL DIMENSIONS ARE IN mm.
2. ROUND OFF ALL SHARP CORNERS WITH 0.40 mm.
3. TOLERANCES WILL BE AS PER BS:EN-755-9 , UNLESS OTHERWISE SPECIFIED

PARTY'S NAME	M/s ANAND NVH PRODUCTS INC.
PARTY'S DRAWING No.	AS PER DRAWING (U-ET11606-D12)
ALLOY & TEMPER	6005-T6
DESCRIPTION	--