

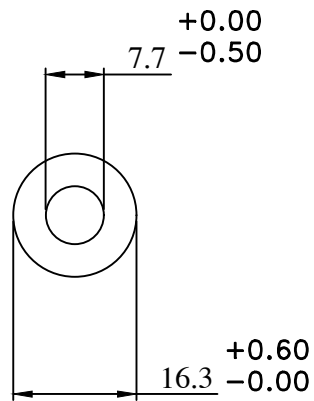


SYMBOL OF QUALITY
AN ISO 9001 COMPANY

PROPOSED DRAWING

M/S. JSS AUTOMOTIVE

Q00747



ALLOY 6061 T6

WT.-0.438KG/M.