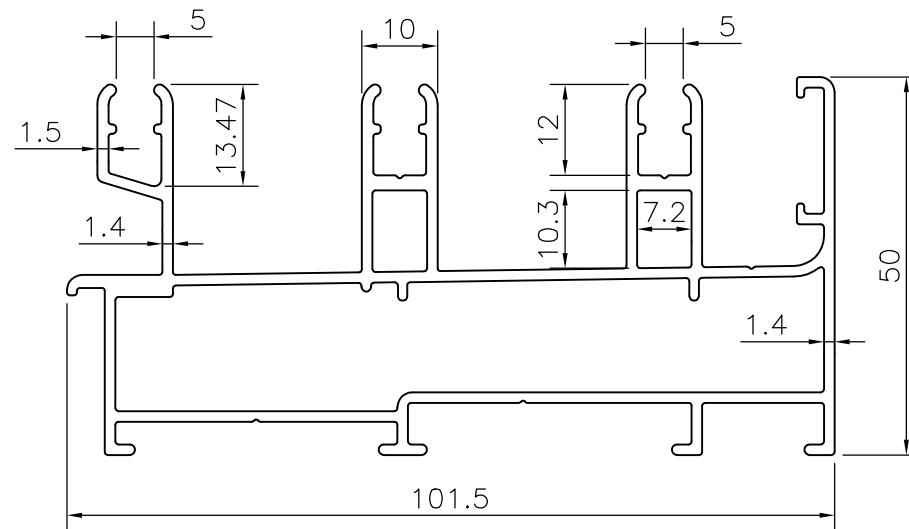




**JINDAL ALUMINIUM LTD.**  
BHIWADI, ALWAR (RAJ.)

PROPOSAL DRAWING  
DATE :- 11-07-2023



Area:689.052 Sq.mm. | Perimeter:617.717 mm. | Weight:1.86 Kg./mtr.