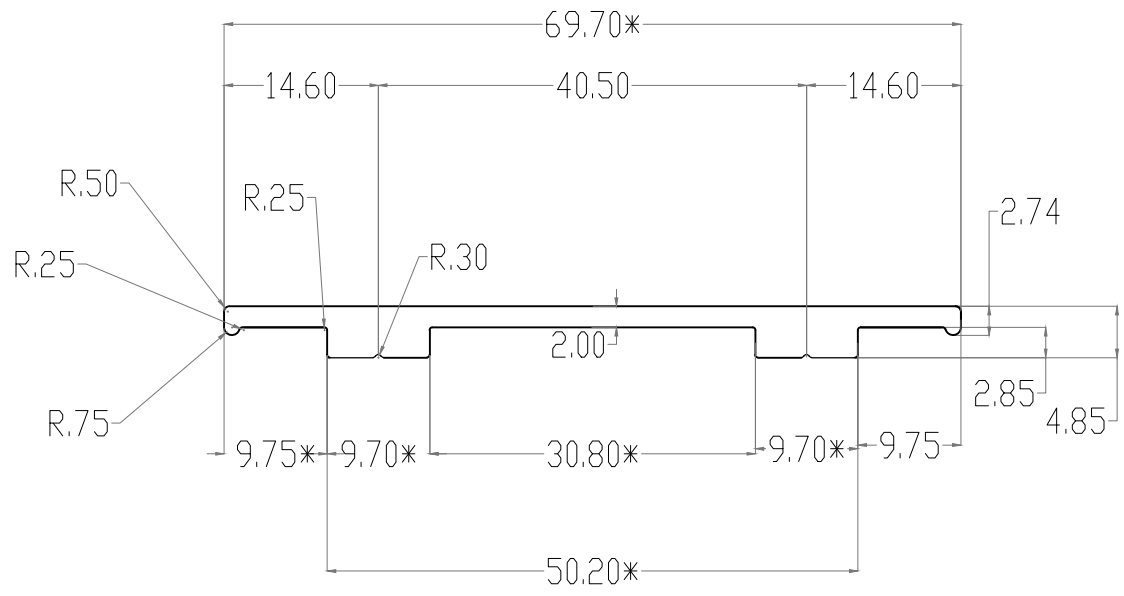


Notice: This drawing is proprietary and confidential. No portion of this Drawing shall be reproduced or copied without permission of Eubiq Healthcare & Lighting Co.



Note:

- 1) * - critical dimension
- 2) Avoid Die Marks / Line on Cosmetic Faces
- 3) Maintain finishing consistency throughout the Cosmetic Faces.

| Dimension | Tolerance |
|----------------|-----------|
| 3mm | ±0.15 |
| 3mm to 6mm | ±0.18 |
| 6mm to 12mm | ±0.20 |
| 12mm to 19mm | ±0.23 |
| 19mm to 25mm | ±0.25 |
| 25mm to 38mm | ±0.30 |
| 38mm to 50mm | ±0.36 |
| 50mm to 100mm | ±0.61 |
| 100mm to 150mm | ±0.86 |
| 150mm to 200mm | ±1.12 |
| 200mm to 250mm | ±1.37 |

| | | | | | | |
|--|------------|-------------|-------------|---|--------------------------|-----------|
| Eubiq Healthcare & Lighting Co. | | | | Plot no 9, Noble Enclave, Old Delhi Road, Gurugram - 122017, Haryana Email ID - eubiqhealthcare@gmail.com | | |
| Drawn by | Jayant P. | Material | Alu 6063 T5 | DWG. No. | EHLC-HP-004-00 | Rev. - 00 |
| Check by | H.Anchan | Finish | | Description | Hospital Profile Jointer | |
| Date | 21.11.2022 | Article No. | -- | | | |