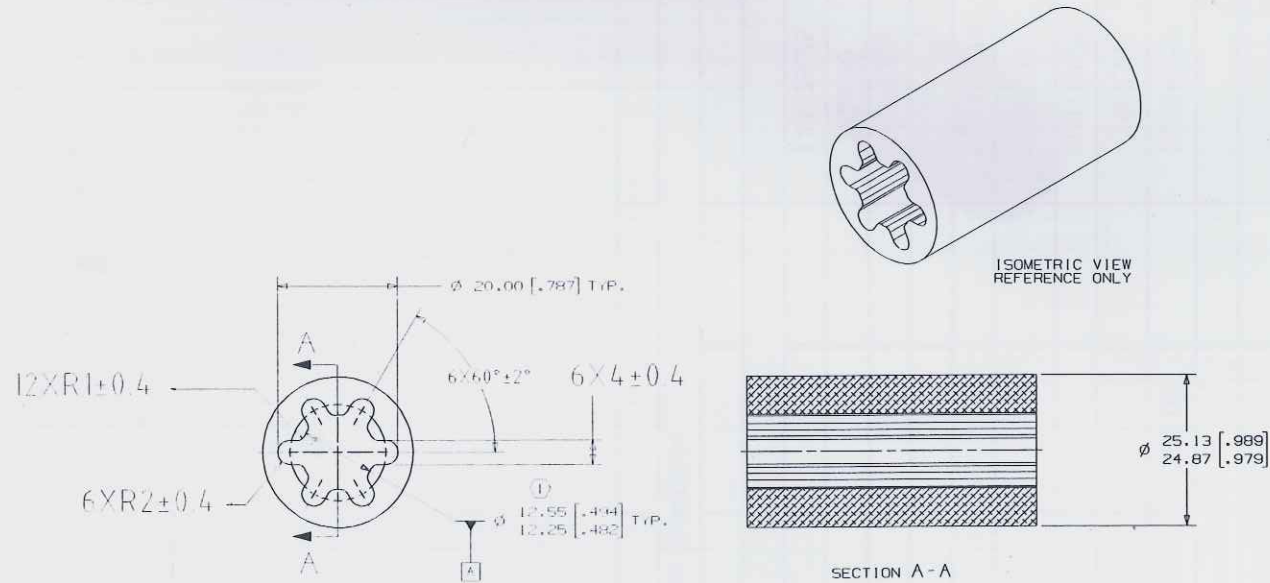


Date: 20.05.24

FOR FEASIBILITY  
PURPOSE ONLY



DRAWING  
REF. DRG NO.  
PART NAME  
MATERIAL

: TC-ENQ-616  
: IC01B369050  
: INNER COMPONENT  
: ASTM B221M 6061-T6

Q01882