



JINDAL ALUMINIUM LTD.

BANGALORE-560073 (INDIA)

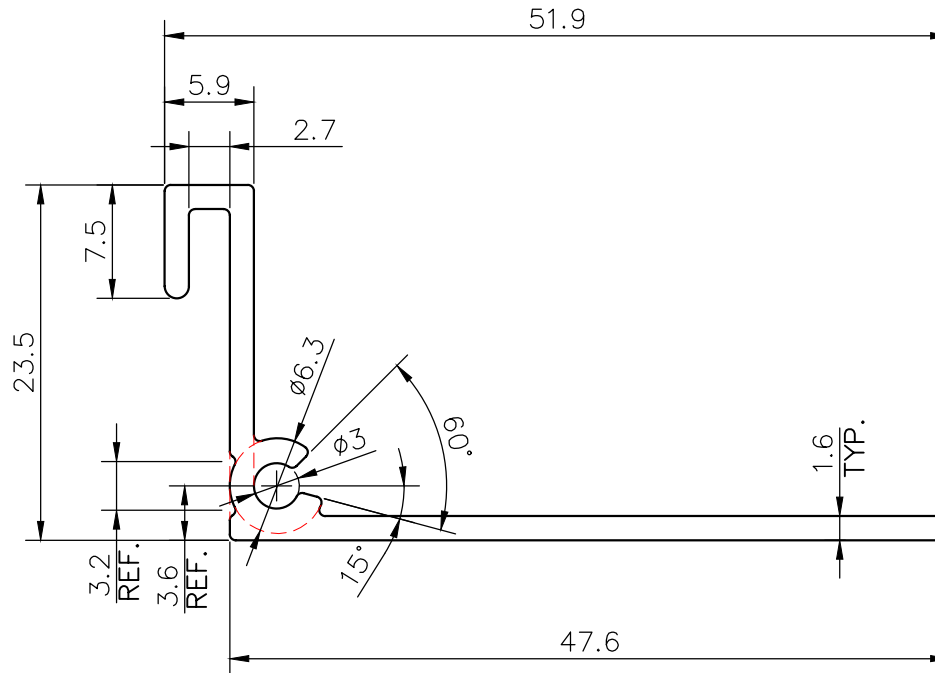
PROPOSED DRAWING

Q00771

20-07-2023



SCALE 1:1



Area: 136.469 Sq.mm. | Perimeter: 166.93mm. | Weight: 00.368 Kg./mtr.

SCALE 2:1