

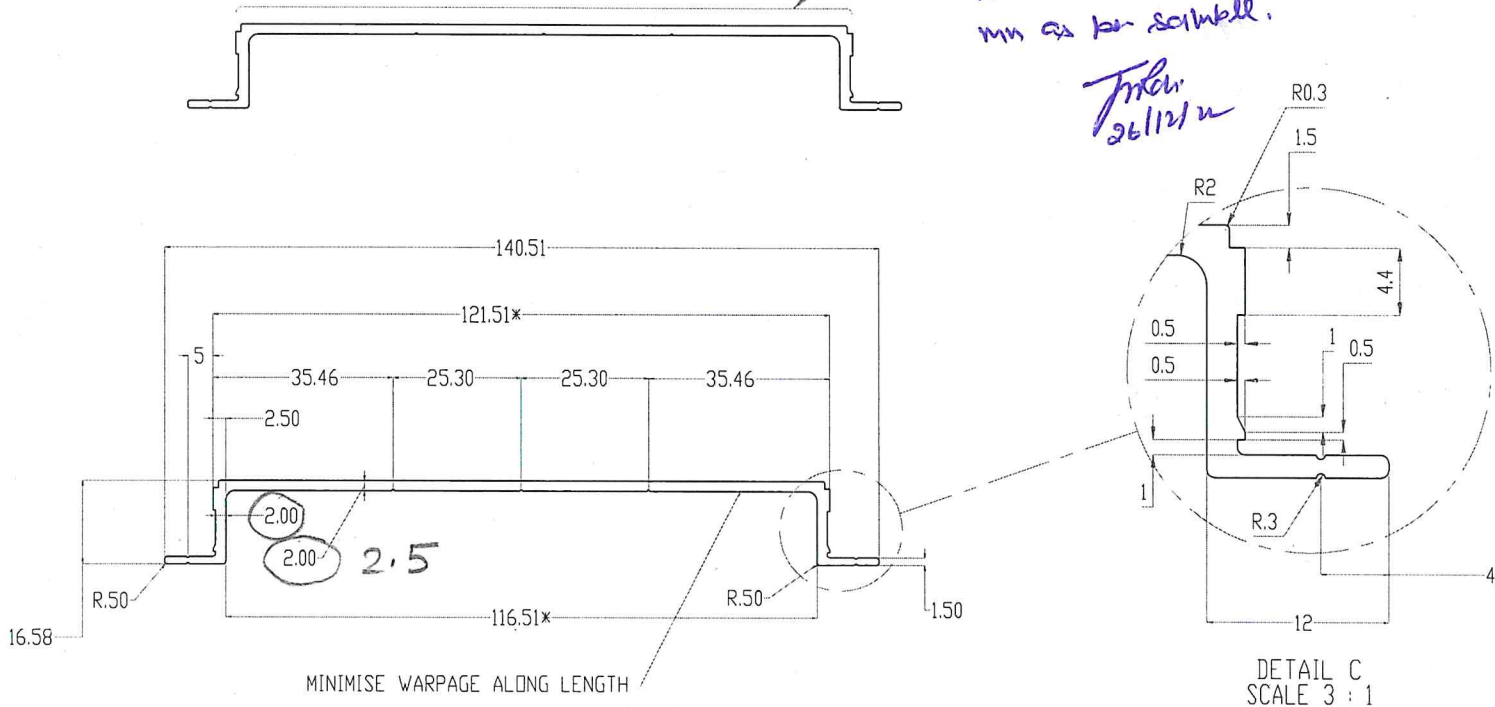
PROPOSED DRAWING

Q00289

COSMETIC SURFACE

As discussed with Party wall thickness to be 2.5 mm as per sketch.

Manish  
26/12/22



DETAIL C  
SCALE 3 : 1

Notice: This drawing is proprietary and confidential. No portion of this Drawing shall be reproduced or copied without permission of Eubiq Healthcare & Lighting Co.

Dimension	Tolerance
3mm	±0.15
3mm to 6mm	±0.18
6mm to 12mm	±0.20
12mm to 19mm	±0.23
19mm to 25mm	±0.25
25mm to 38mm	±0.30
38mm to 50mm	±0.36
50mm to 100mm	±0.61
100mm to 150mm	±0.86
150mm to 200mm	±1.12
200mm to 250mm	±1.37

- Note:
- 1) \* - critical dimension
  - 2) Avoid Die Marks / Line on Cosmetic Faces
  - 3) Maintain finishing consistency throughout the Cosmetic Faces.

Eubiq Healthcare & Lighting Co.			Plot no 9, Noble Enclave, Old Delhi Road, Gurugram - 122017, Haryana Email ID - eubiqhealthcare@gmail.com			
Drawn by	Jayant P.	Material	Alu 6063 T6	DWG. No.	EHLC-HP-002-00	Rev. - 00
Check by	Manish	Finish		Description	Hospital Profile Top Cover	
Date	23.12.2022	Article No.	--			