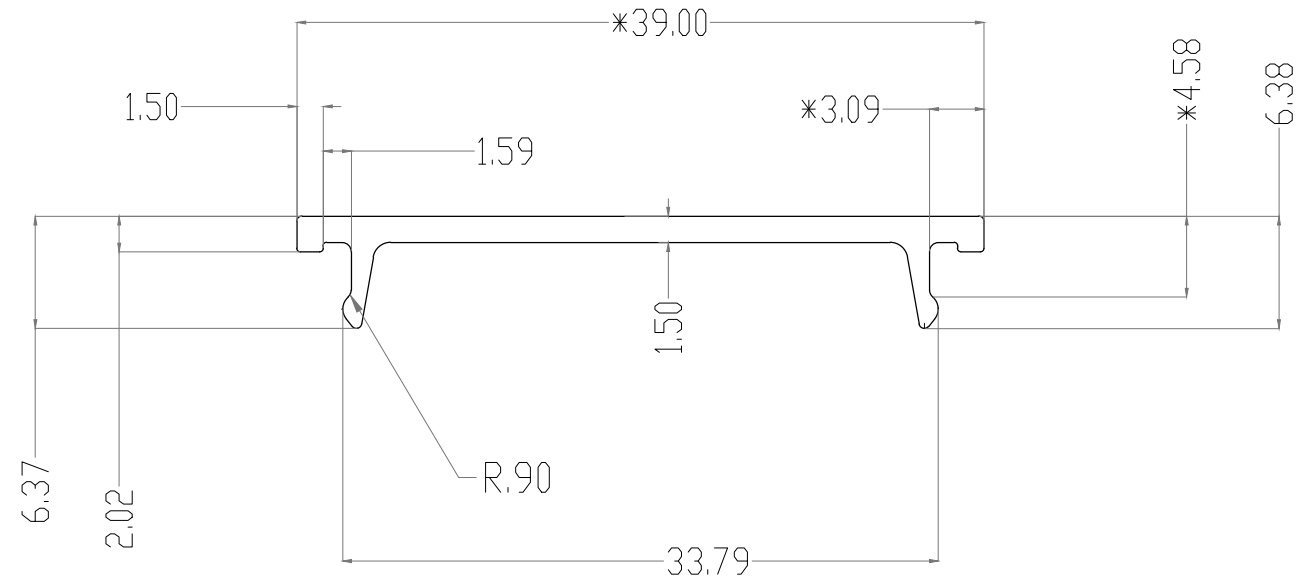


Q00290

Notice: This drawing is proprietary and confidential. No portion of this Drawing shall be reproduced or copied without permission of Eubiq Healthcare & Lighting Co.



Note:

1) * - Critical Dimension (Please try to work to stated tolerance)

Dimension	Tolerance
3mm	±0.15
3mm to 6mm	±0.18
6mm to 12mm	±0.20
12mm to 19mm	±0.23
19mm to 25mm	±0.25
25mm to 38mm	±0.30
38mm to 50mm	±0.36
50mm to 100mm	±0.61
100mm to 150mm	±0.86
150mm to 200mm	±1.12
200mm to 250mm	±1.37

Eubiq Healthcare & Lighting Co.				Plot no 9, Noble Enclave, Old Delhi Road, Gurugram - 122017, Haryana Email ID - eubiqhealthcare@gmail.com		
Drawn by	Jayant P.	Material	Alu 6063 T6	DWG. No.	EHLC-HP-003-R1	Rev. - 01
Check by	Manish	Finish		Description	Hospital Profile Compartment Separator	
Date	23.12.2022	Article No.	--			