

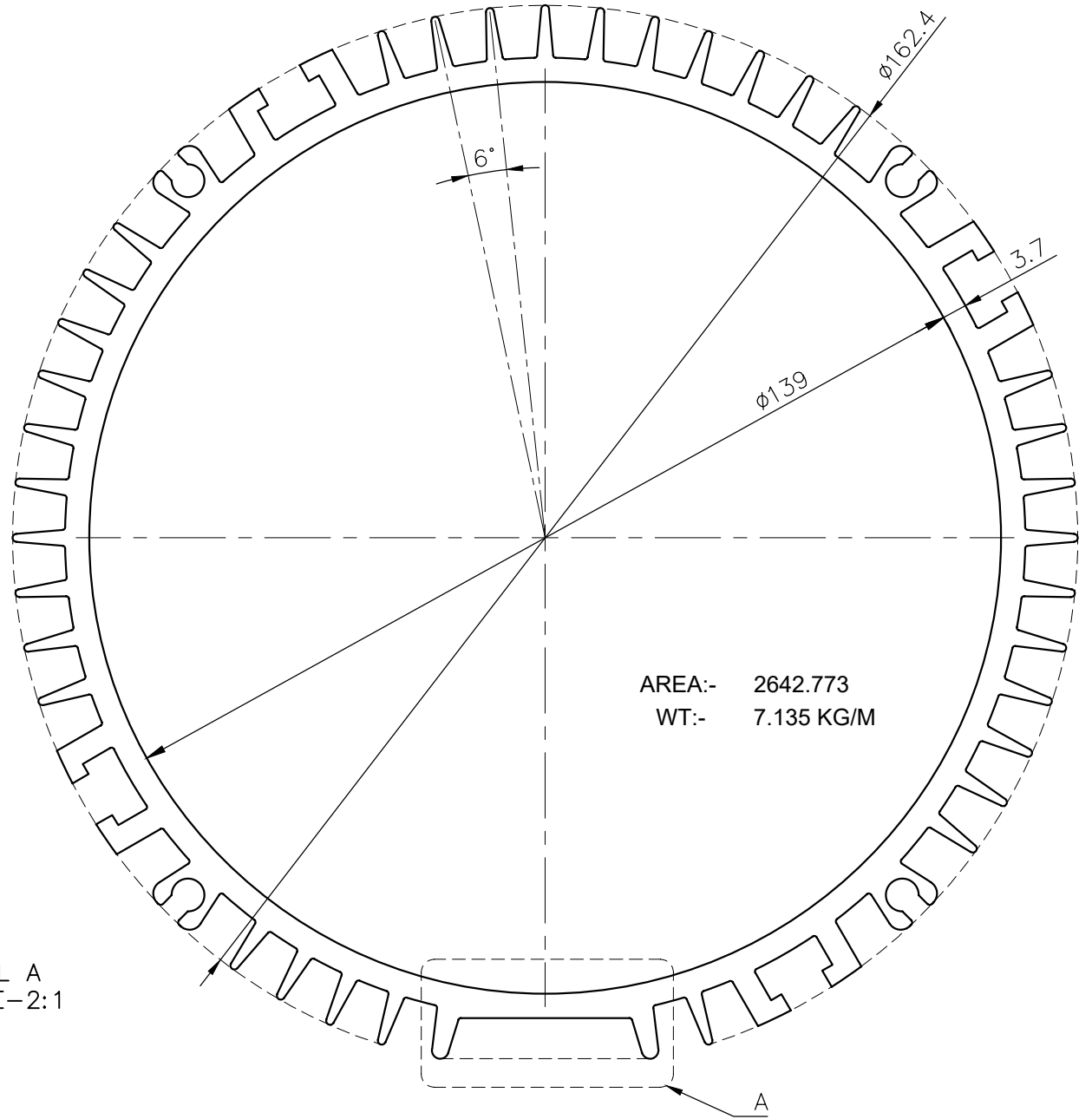


JINDAL ALUMINIUM LTD.

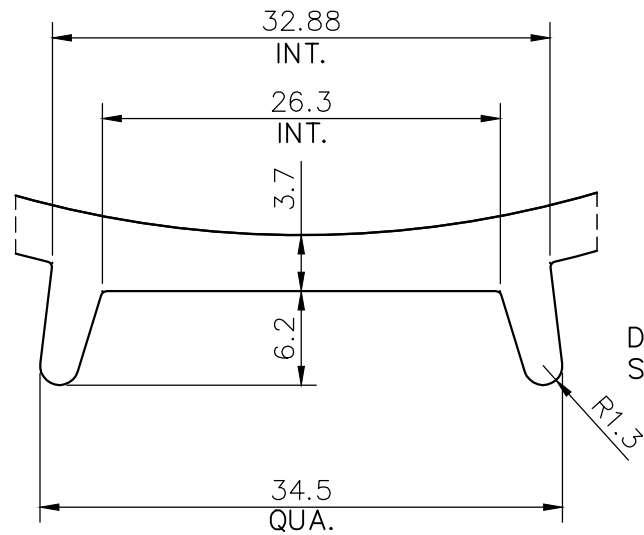
BANGALORE-560073 (INDIA)

PROPOSED DRAWING

Q00728



AREA:- 2642.773
WT:- 7.135 KG/M



DETAIL A
SCALE-2:1