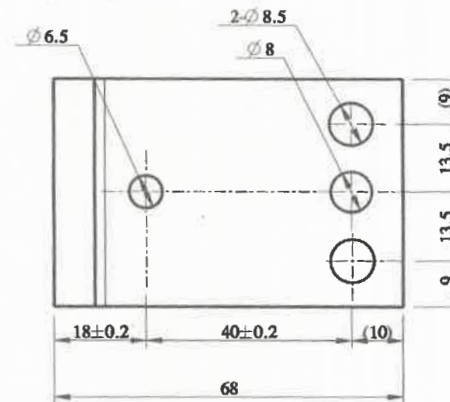
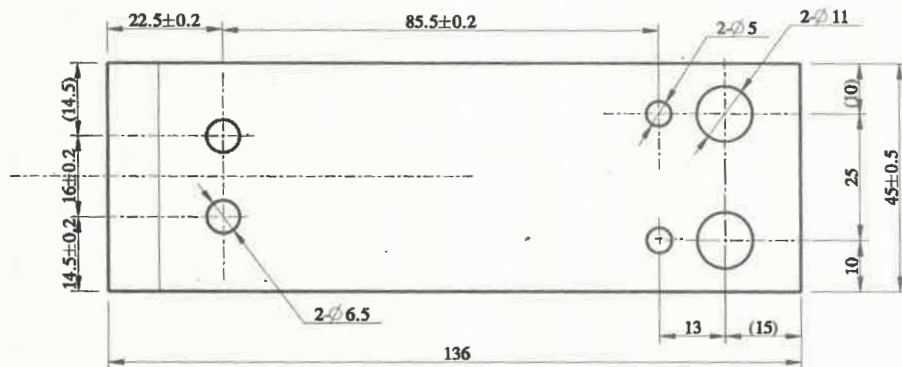
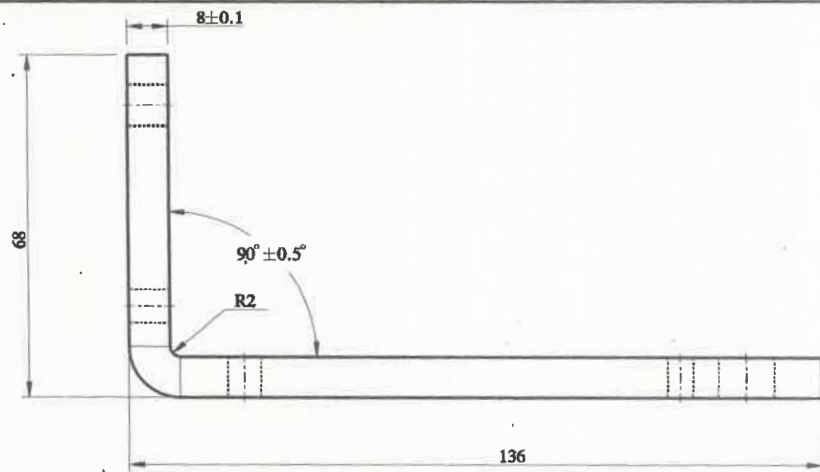


The contents of this Drawing are the sole property of C & S ELECTRIC LTD. and they should neither be copied nor given to a third person without the prior permission of company.

R.NO	S.NO	DATE	RV.DISP.	SIGN.

Q00291



FOR DEVELOPMENT
NOT
FOR PRODUCTION



Notes:-

- Component to be free from sharp edges & burrs.
- Surface finish should be copper 3μ as undercoat upon which Tin plating (5~7)μ.

QTY./UNIT.	MATERIAL	GRADE	SURFACE FINISH	REMARKS
2	ALUMINIUM- 8mm Thick	As Per IS-5082/63401-T6	SEE NOTE No. 2	
1	BRASS 8mm Thick	CuZn37-HH As Per IS-14340	Tin plating (5~7)μ	—

UNSPECIFIED TOLERANCE	LINEAR	ANGL.	DIM. IN mm		SCALE :- 1:1	C&S electrica	C&S ELECTRIC LTD. A-7 & 8, SECTOR- 8, NOIDA DISTRICT- GAUTAM BUDH NAGAR (U.P)			
			NAME	DATE						
±0.5	3	10	DGND.	MANISH	Aug-19-22	 TITLE : LOWER TERMINAL FOR ACB (400A~630A)	 SHEET NO.			
±0.5	6	30	DRAWN.	MANISH	Aug-19-22					
±0.1	3	6	CHKD.	MANISH	22/8/22					
±0.1	3	6	APPD.	MANISH	22/8/22					
			DWG.NO	CSC/ACB/3011		REV.NO.	00	SHEET : A3	NO OF SHEETS	01