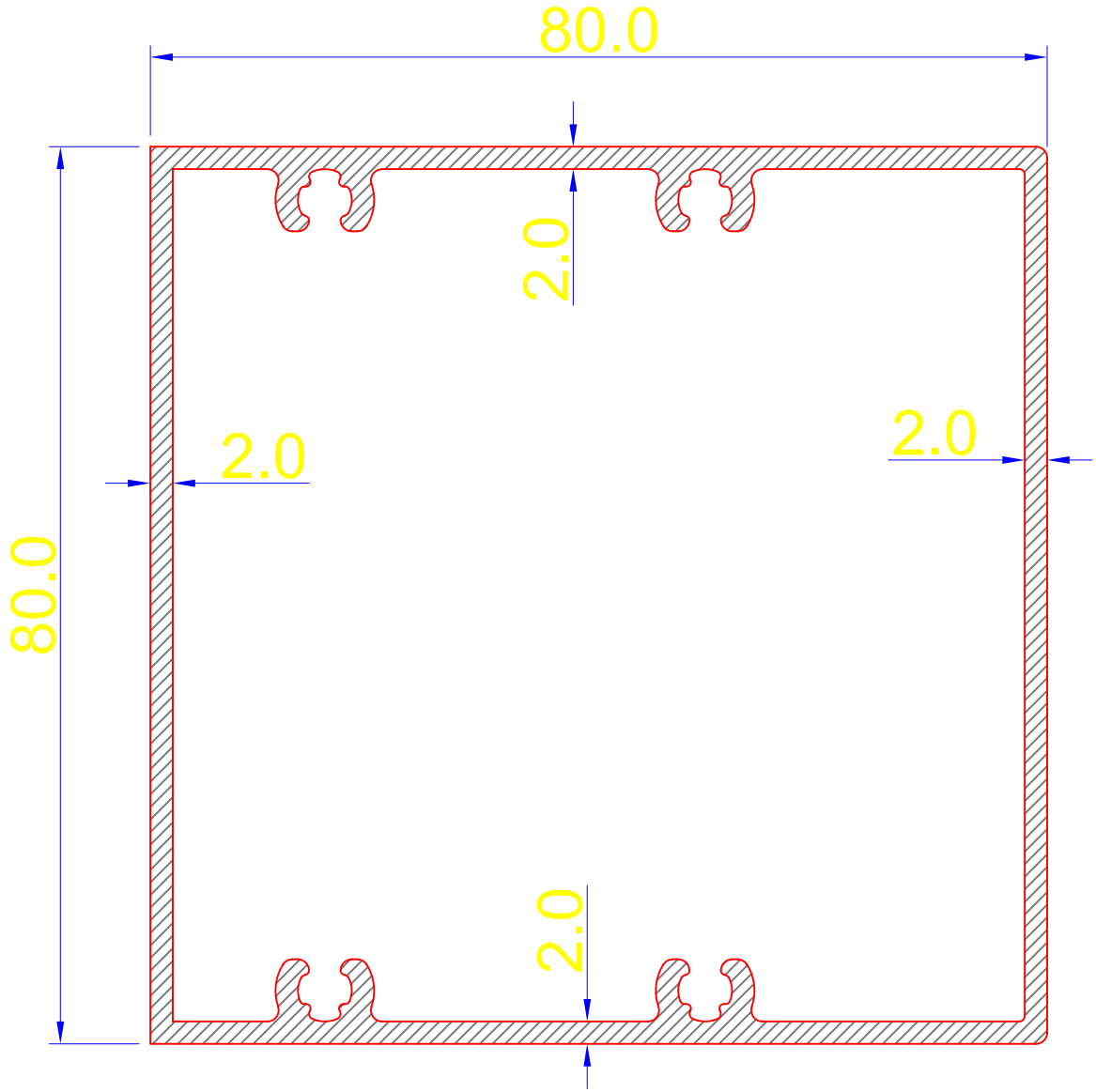


**INTERMEDIATED TRANSOM AT
STONE LOCATION ONLY**



GLASS ADDONE

