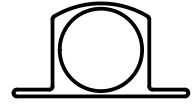
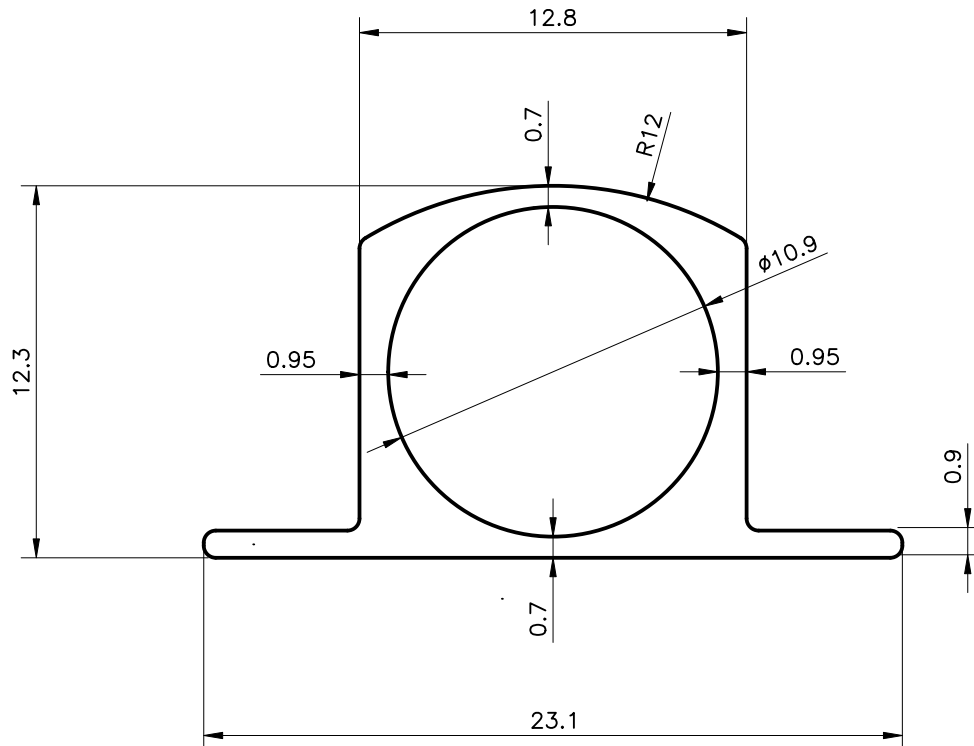


BEFORE APPROVAL CHECK ALL DIMENSIONS PROPERLY

PROPOSED DRAWING



SCALE 1:1



SYMBOL OF QUALITY
AN ISO 9001 COMPANY

JINDAL ALUMINIUM LTD.
BHIWADI-301019 (INDIA)

	NAME	DATE
DRAWN	ASHUTOSH	07-12-2022
CHECKED		
APPROVED		

1. ALL DIMENSIONS ARE IN mm.
2. ROUND OFF ALL SHARP CORNERS WITH 0.40 mm.
3. TOLERANCES WILL BE AS PER BS:EN-755-9 , UNLESS OTHERWISE SPECIFIED

SCALE	1:1&4:1
AREA mm ²	65.68
PERIMETER mm.	66.69
WEIGHT kg/m	0.177
DRAWING No.	SECTION No.

PARTY'S NAME ALUMINIUM TRADING CO. DELHI

PARTY'S DRAWING No. AS PER MAIL (05.12.2022)

ALLOY & TEMPER 6063-T6

DESCRIPTION -