



JINDAL ALUMINIUM LTD.

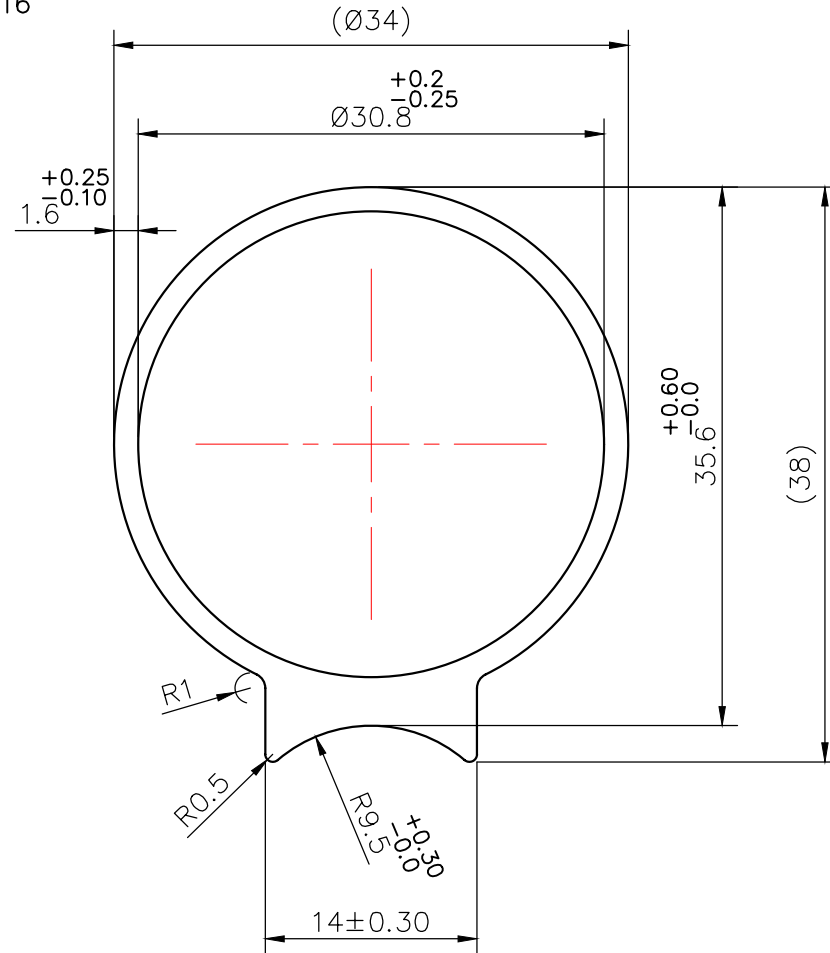
BANGALORE-560073 (INDIA)

PROPOSED DRAWING

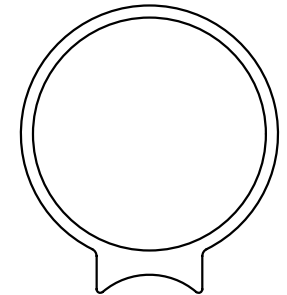
Q00786

DATE:- 27.07.2023

ALLOY TEMPER- 6005-T6



SCALE 2:1



SCALE 1:1

Area: 205.018 Sq.mm. | Perimeter: 117.851 mm. | Weight: 0.554 Kg./mtr.