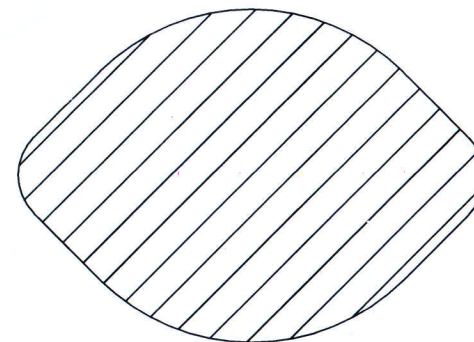
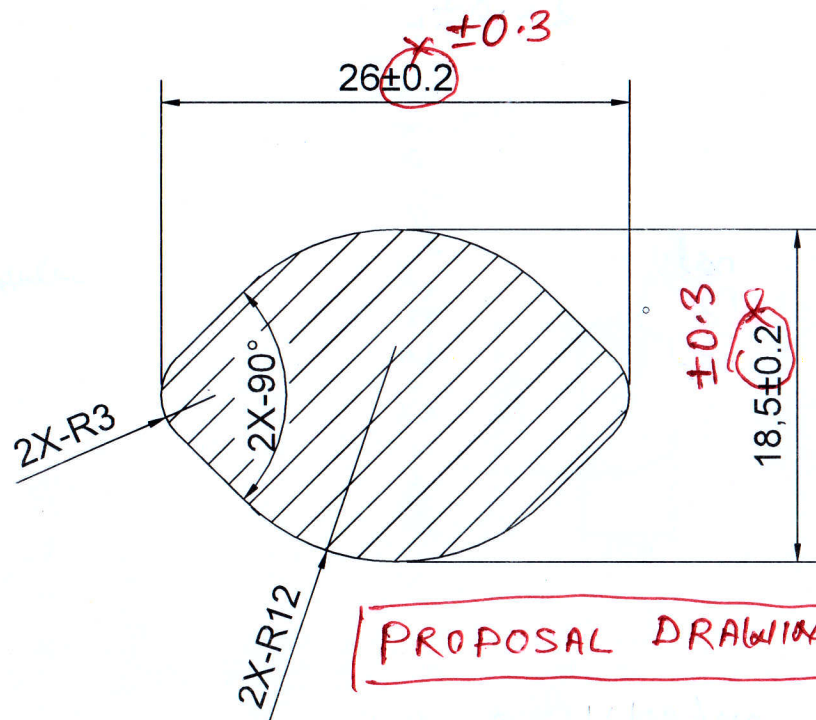


M/s. SWASTIKA AUTOMATICS
 ALLOY - 6061T6

Φ 01920



SCALE: 1:1



PROPOSAL DRAWING

MATERIAL:- AL 6061-T6

UNLESS OTHERWISE SPECIFIED DIMENSIONS ARE IN MILLIMETERS		FINISH:		DEBURR AND BREAK SHARP EDGES		DO NOT SCALE DRAWING		REVISION	
SURFACE FINISH:						SWASTIKA AUTOMATICS (INDIA)			
TOLERANCES:						TITLE:			
LINEAR:						FOR EXTRUSION DRAWING			
ANGULAR:									
NAME	SIGNATURE	DATE				DVG NO.		A3	
DRAWN	AKSHAY DHIMAN	28/05/24				B+B- TERMINAL (DGD11-012)			
CHK'D	AJAY SHARMA	28/05/24				SCALE: 1:1		SHEET 1 OF 1	
APPV'D									
MFG									
O.A					MATERIAL:	AL 6061-T6			
					WEIGHT:				