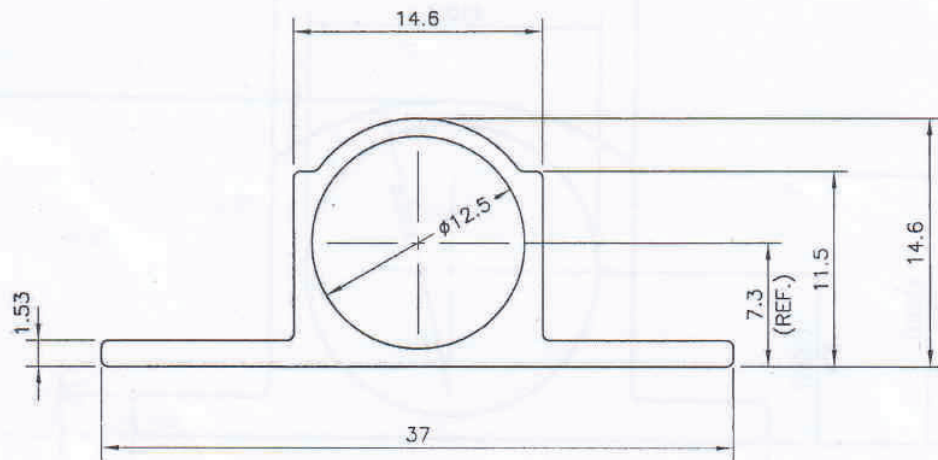


SCALE:-1:1



Drawing Approved
 Price same as of 18106 k 280-6
 Qty - 8 Ton - 3 yrs

For ALUMINIUM TRADING COMPANY

Ravinder Singh
 Partner

4/01/23



SYMBOL OF QUALITY
 AN ISO 9001 COMPANY

JINDAL ALUMINIUM LTD.

BHIWADI-301019 (INDIA)

1. ALL DIMENSIONS ARE IN mm.
2. ROUND OFF ALL SHARP CORNERS WITH 0.40 mm.
3. TOLERANCES WILL BE AS PER BS:EN-755-9 , UNLESS OTHERWISE SPECIFIED

	NAME	DATE
DRAWN	ASHUTOSH	05-11-2022
CHECKED	<i>Junit</i>	7/11/22
APPROVED	<i>Ravinder</i>	07-11-22
SCALE		1:1&2.5:1
AREA mm ²		105.29
PERIMETER mm.		97.61
WEIGHT kg/m		0.284
DRAWING No.		SECTION No.

PARTY'S NAME	M/s ALUMINIUM TRADING CO.
PARTY'S DRAWING No.	AS PER DRAWING (DH-33-22)
ALLOY & TEMPER	6063-T6
DESCRIPTION	--