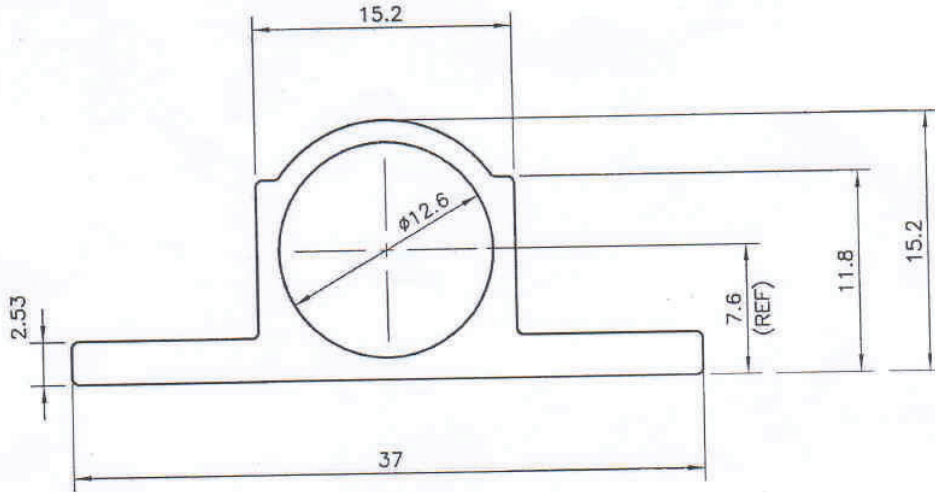


SCALE: - 1:1




Drawing Approved.  
 Price same as of 18106 K280.6  
 Qty - 8 Ton - 3ys.

For ALUMINIUM TRADING COMPANY

*Ravinder Singh*  
 Partner

4-01-23

 SYMBOL OF QUALITY AN ISO 9001 COMPANY	<b>JINDAL ALUMINIUM LTD.</b> BHIWADI-301019 (INDIA)	DRAWN	ASHUTOSH	09-11-2022
		CHECKED	<i>Sumit</i>	09-11-22
1. ALL DIMENSIONS ARE IN mm. 2. ROUND OFF ALL SHARP CORNERS WITH 0.40 mm. 3. TOLERANCES WILL BE AS PER BS:EN-755-9 , UNLESS OTHERWISE SPECIFIED		APPROVED	<i>Ma.</i>	09-11-22
PARTY'S NAME: M/s ALUMINIUM TRADING CO.		SCALE	1:1&2.5:1	
		AREA mm <sup>2</sup>	140.01	
PARTY'S DRAWING No.: AS PER DRAWING (18106)		PERIMETER mm.	98.47	
		WEIGHT kg/m	0.378	
ALLOY & TEMPER: 6063-T6		DRAWING No.	SECTION No.	
		DESCRIPTION: --		