

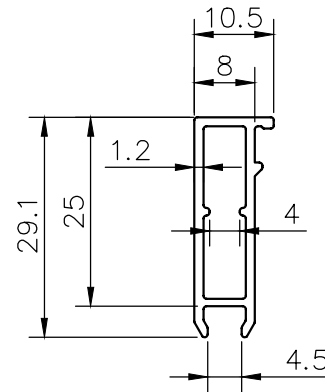


**JINDAL ALUMINIUM LTD.**

BANGALORE-560073 (INDIA)

**PROPOSED DRAWING**

**Q00800**



Area: 88.218 Sq.mm. | Perimeter: 87.318 mm. | Weight: 0.238 Kg./mtr.