



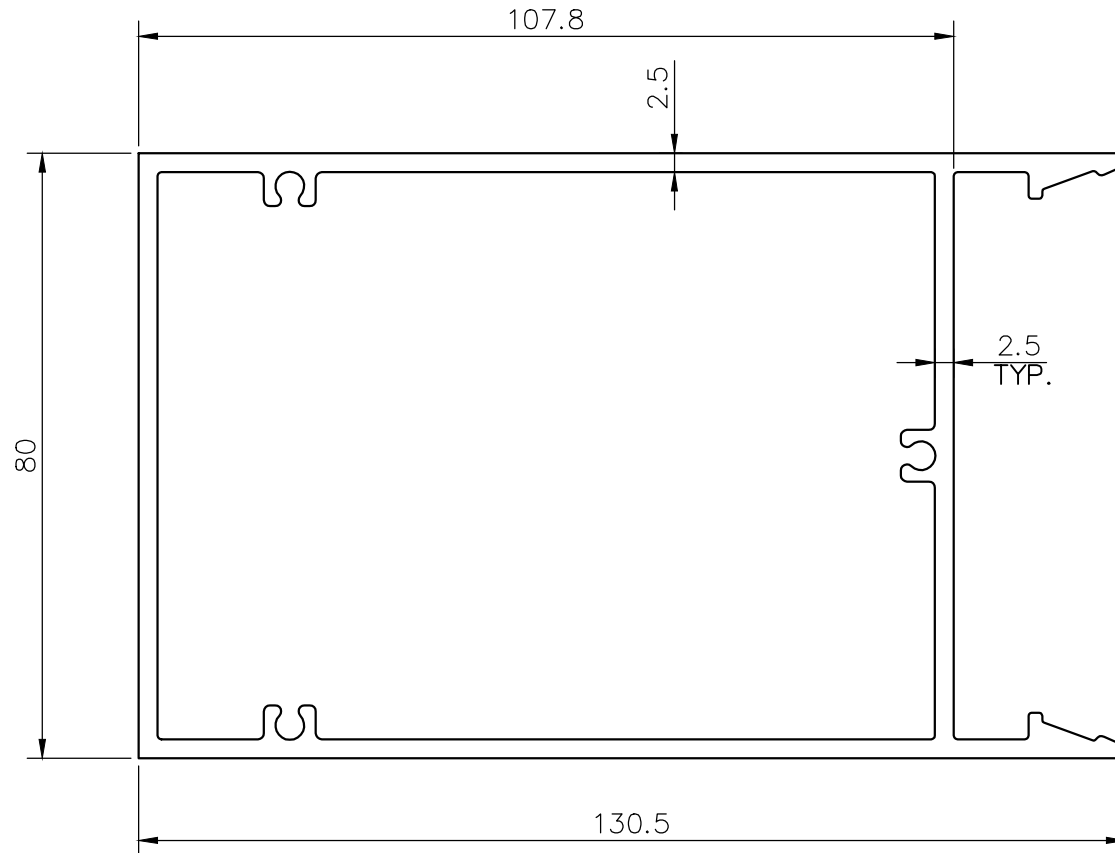
JINDAL ALUMINIUM LTD.

BHIWADI-301019 (INDIA)

PROPOSED DRAWING

Q00812

DATE:- 02.08.2023



Area: 1105.013 Sq.mm. | Perimeter: 473.626 mm. | Weight: 2.984 Kg./mtr.