



ASHOO DECOR (INDIA)
A DIVISION OF ALUMINIUM ARCHITECTURAL PRODUCTS

1729, HSIIDC, RAI INDL.
AREA SONIPAT-131029
9811047752

ashodecorindia@yahoo.com
ashodecor@yahoo.com

R = 0.50mm Radius

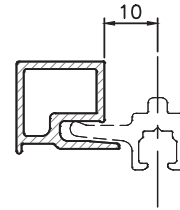
R1 = 1.0mm Radius

R2 = 1.50mm Radius

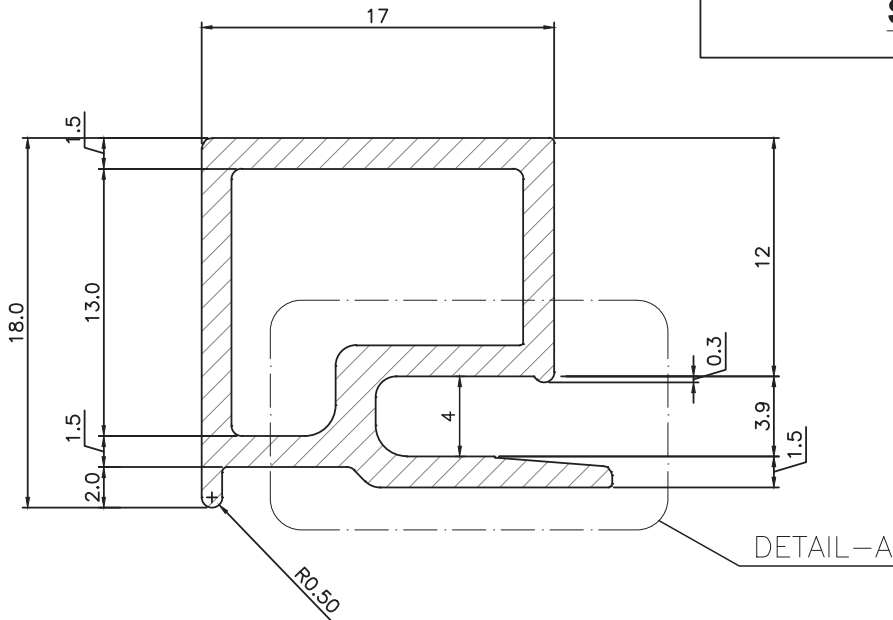
ALUMINIUM DIE DRAWING

SASH FRAME

Q00818

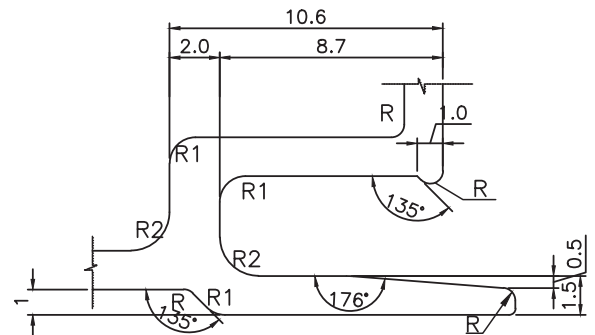


SCALE:- 1:1



SCALE:- 4:1

WEIGHT RANGE = 0.304 Kg/Mtr.



SCALE:- 5:1

DETAIL-A