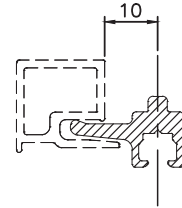


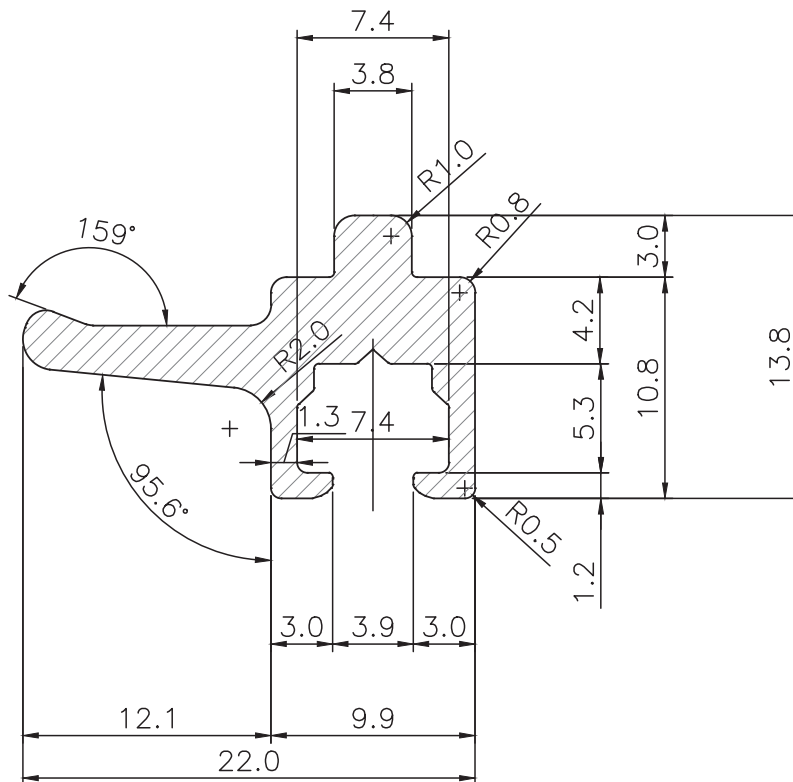
ALUMINIUM DIE DRAWING

TOGGLE

Q00820



SCALE:- 1:1



SCALE:- 4:1

WEIGHT RANGE = 0.336 Kg/Mtr.