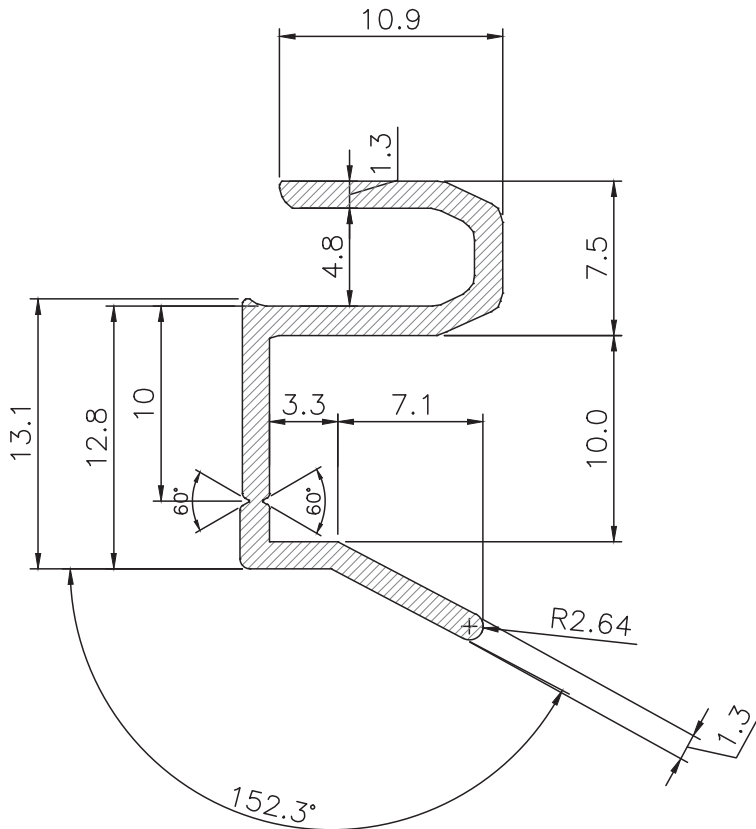
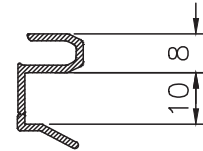


ALUMINIUM DIE DRAWING

GLASS INSERT

Q00821

SCALE:- 1:1



SCALE:- 4:1

WEIGHT RANGE = 0.179 Kg/Mtr.