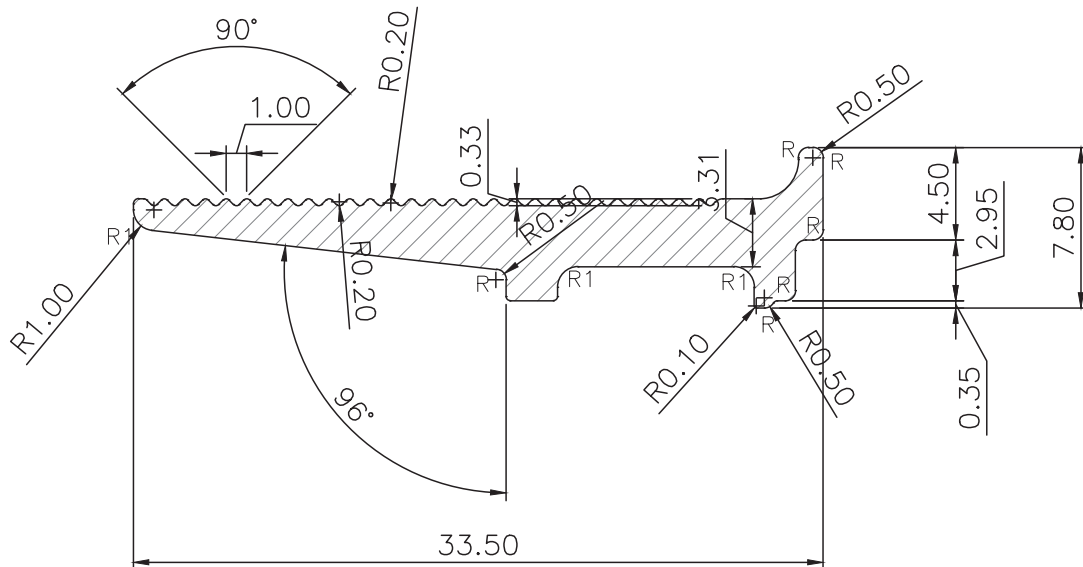
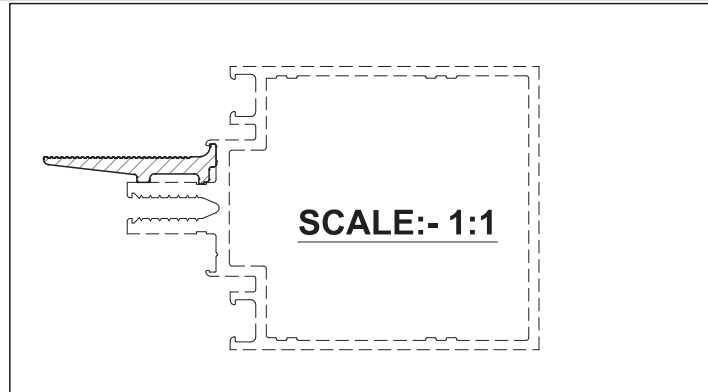


ALUMINIUM DIE DRAWING

GLASS SUPPORT

Q00822



**SCALE:- 4:1**

**WEIGHT RANGE = 0.274 Kg/Mtr.**