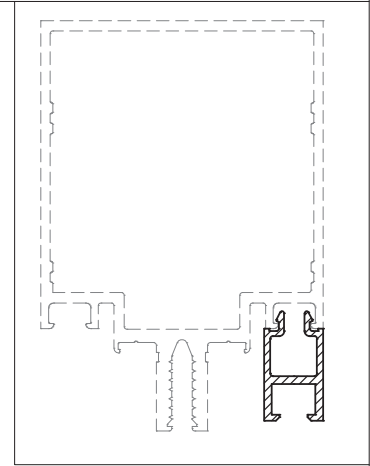
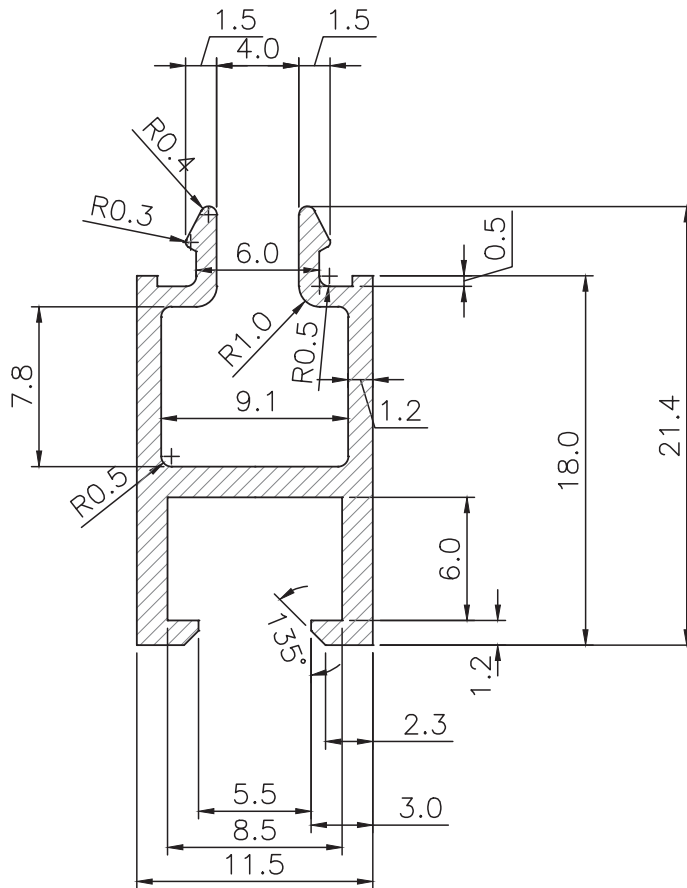


ALUMINIUM DIE DRAWING

GASKET ADAPTER

**Q00825**



**SCALE:- 4:1**

**WEIGHT RANGE = 0.461 Kg/Mtr.**