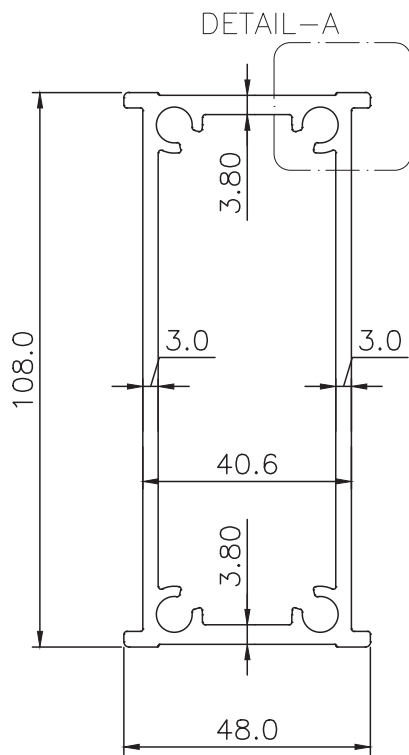


**ALUMINIUM DIE DRAWING**

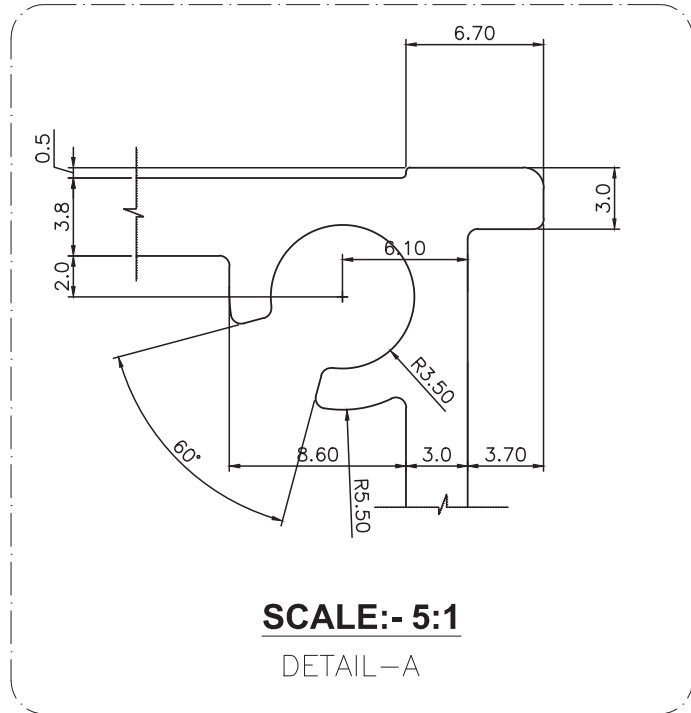
**MULLION SLEEVE**

**Q00827**



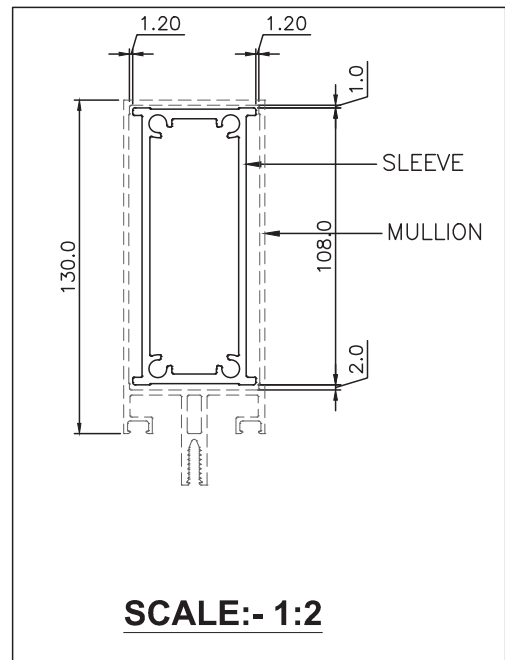
**SCALE:- 1:1**

**WEIGHT RANGE = 2.69 Kg/Mtr.**



**SCALE:- 5:1**

DETAIL-A



**SCALE:- 1:2**