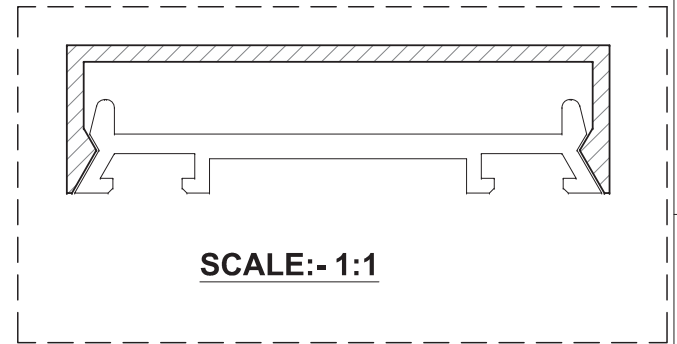
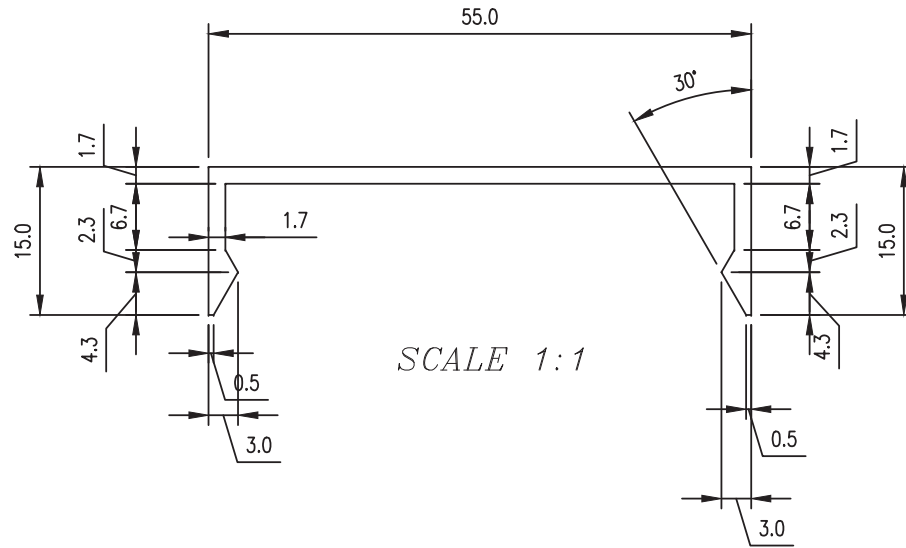


COVER CAP

Q00828



ANGULARITY
± 2°

TWIST
±1.70mm/MTR

STRAIGHTNESS
±1.70mm/MTR


FLATNESS
±0.65

F.TLR.:001

F= FULL RADIUS

NOTE:

1. UNLESS OTHERWISE NOT SPECIFIED TOLERANCE IS :- IS 3965,6477 & 2673
2. CUSTOMER TO CHECK ALL DATA BEFORE APPROVAL
3. UNSPECIFIED CORNER RADIUS 0.50mm
4. ALL DIMENSIONS ARE IN MM.

S.No.		REV.		DATE		SIGN	
AREA SQ.MM.	1016.55	WT./MTR. KG.	2.744	ALL DIMENSIONS ARE IN MM			
	DRN.	CHD.	APPD.	DATE	SCALE		
	JK	MA	MA	26.10.21	NTS		
Ashoo Decor India 1729, HSIIDC, RAI INDL. AREA SONIPAT-131029 CONT. NO.-9811047752				REF.NO. ADI-SUCW-1A			