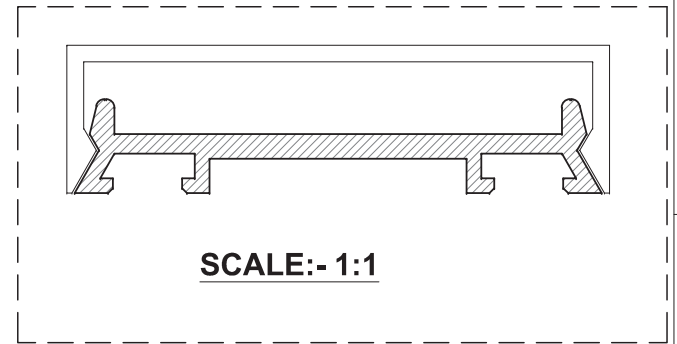
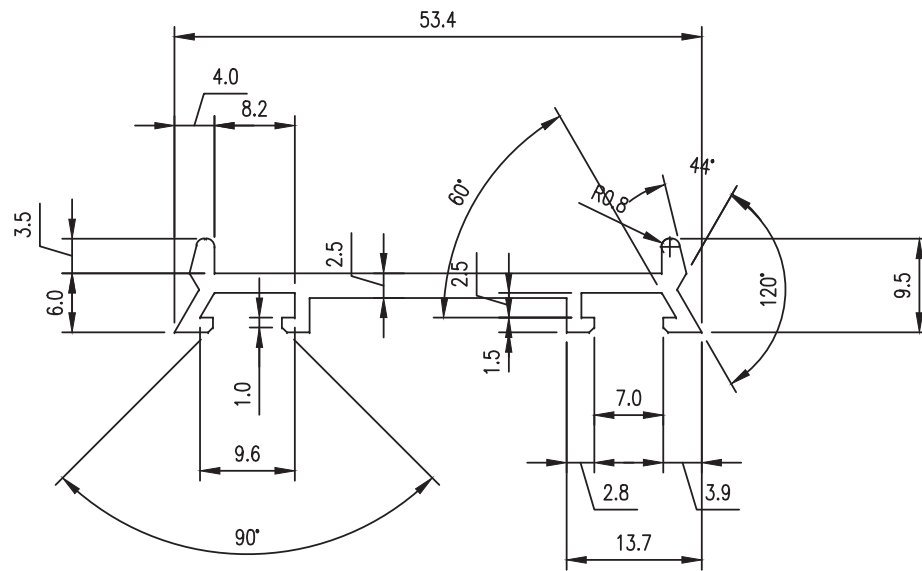


# PRESSURE PLATE

Q00829



SCALE:- 1:1

ANGULARITY  
± 2°

TWIST  
±1.70mm/MTR

STRAIGHTNESS  
±1.70mm/MTR

FLATNESS  
±0.65

F.TLR.: -001

F= FULL RADIUS

**NOTE:**

1. UNLESS OTHERWISE NOT SPECIFIED TOLERANCE IS :- IS 3965,6477 & 2673
2. CUSTOMER TO CHECK ALL DATA BEFORE APPROVAL
3. UNSPECIFIED CORNER RADIUS 0.50mm
4. ALL DIMENSIONS ARE IN MM.

S.No.	REV.	DATE	SIGN
AREA SQ.MM.	1016.55	WT./MTR. KG.	2.744
ALL DIMENSIONS ARE IN MM			
DRN.	CHD.	APPD.	DATE
JK	MA	MA	26.10.21
Ashoo Decor India			REF.NO.
1729, HSIIDC, RAI INDL. AREA SONIPAT-131029 CONT. NO.-9811047752			ADI-SUCW-1B