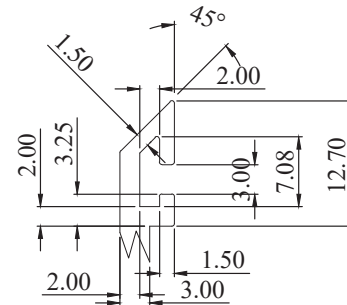
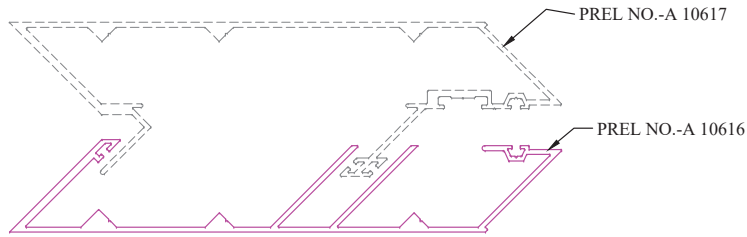
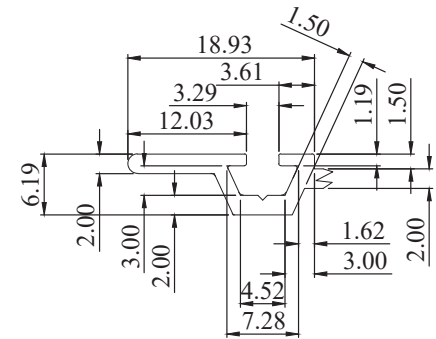


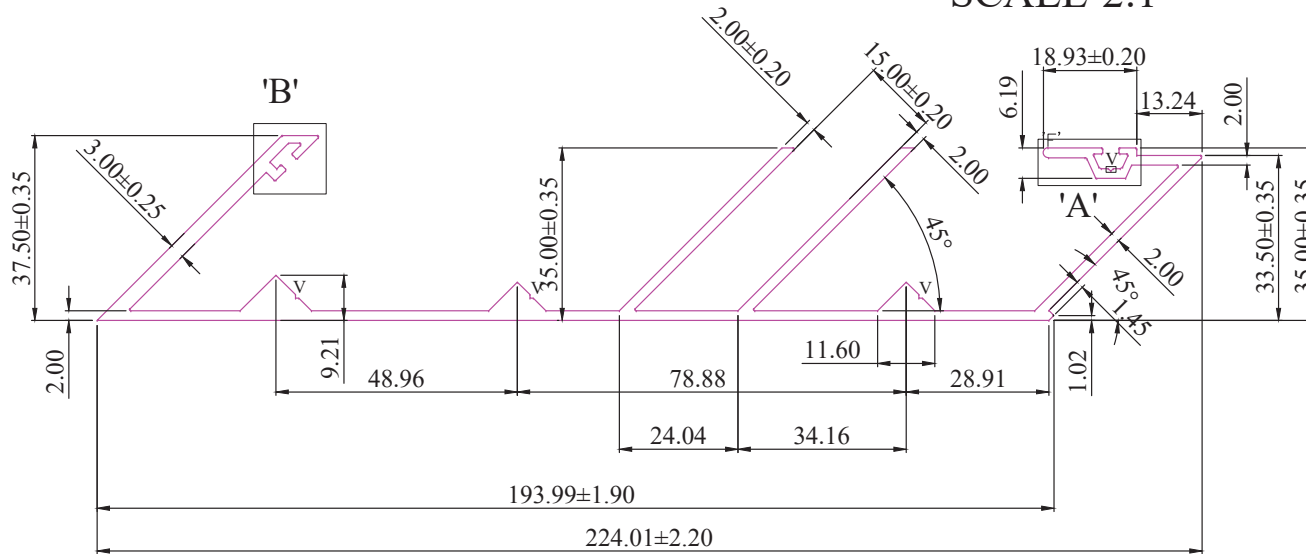
Female
Corner
Mullion



DETAILS 'B'
SCALE-2:1



DETAILS 'A'
SCALE-2:1



SCALE 1:1

'v':- 0.50 x 90°

F= FULL
RADIUS

NOTE:

1. UNLESS OTHERWISE NOT SPECIFIED TOLERANCE IS :- IS 3965,6477 & 2673
2. CUSTOMER TO CHECK ALL DATA BEFORE APPROVAL
3. UNSPECIFIED CORNER RADIUS 0.50mm
4. ALL DIMENSIONS ARE IN MM.


ANGULARITY
±2°

TWIST
±1.70mm/MTR

STRAIGHTNESS
±1.70mm/MTR

FLATNESS
±1.7

F.TLR.:001

S.No.	REV.	DATE	SIGN
AREA SQ.MM.	1016.55	WT./MTR. KG.	2.744
ALL DIMENSIONS ARE IN MM			
DRN.	CHD.	APPD.	DATE
JK	MA	MA	26.10.21
			REF.NO. ADI-UCW-5
Ashoo Decor India 1729, HSIIDC, RAI INDL. AREA SONIPAT-131029 CONT. NO.-9811047752			