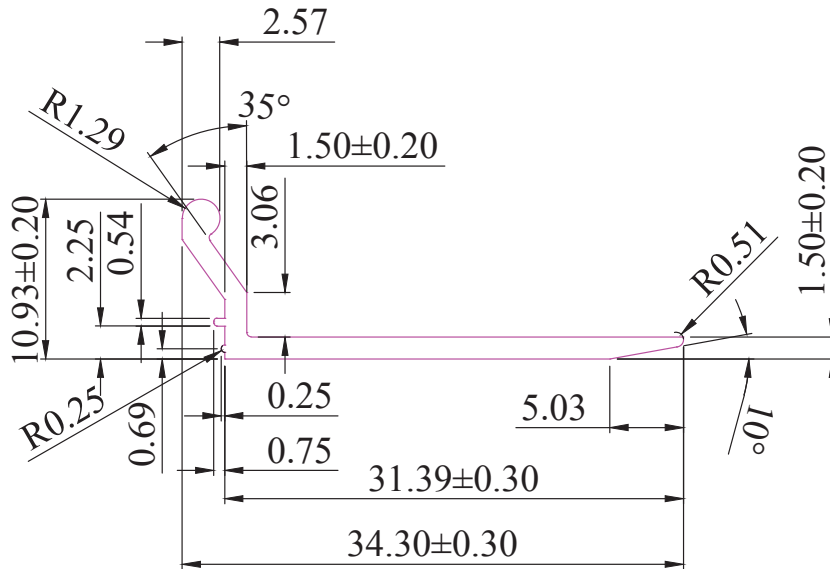


ADD - ON LEG

Q00841



SCALE 1:1



SCALE 2:1

\*\*\* CUSTOMER TO CHECK ALL DATA BEFORE APPROVAL

NOTE:

1. UNLESS OTHERWISE SPECIFIED TOLERANCE IS ( IS :-3965,6477&2673)
2. UNSPECIFIED CORNER RADIUS 0.30mm
3. ALL DIMENSIONS ARE IN MM.

ANGULARITY  
±2°



TWIST  
±1.70MM/MTR

STRAIGHTNESS  
±1.70MM/MTR

FLATNESS  
±0.25

ENQ.NO.

F.TLR:-001

				WT. RANGE 12'	----
				r-RADIUS	----
				R-RADIUS	----
				F-RADIUS	FULL RADIUS
		DATE		V=VEE GROOVE	-----
S.No.	REVISION	DATE	SIGN	UNSPECIFIED CORNER RADII	0.30
AREA SQ.MM.	WT./MTR.KG.	PERIMETER.M.M	CCD.M.M	ALLOY/TEMP	CUT LENGTH
62.51	0.168	87.11	35.35	6063/T6	
	DRN.	CHD.	APPD.	DATE	SCALE
	JK	MA	MA	26.10.21	
				REF.NO.	
1729, HSIIDC, RAI INDL. AREA SONIPAT-131029 CONT. NO.-9811047752				ADI-UCW-10	