

1

2

3

4

A

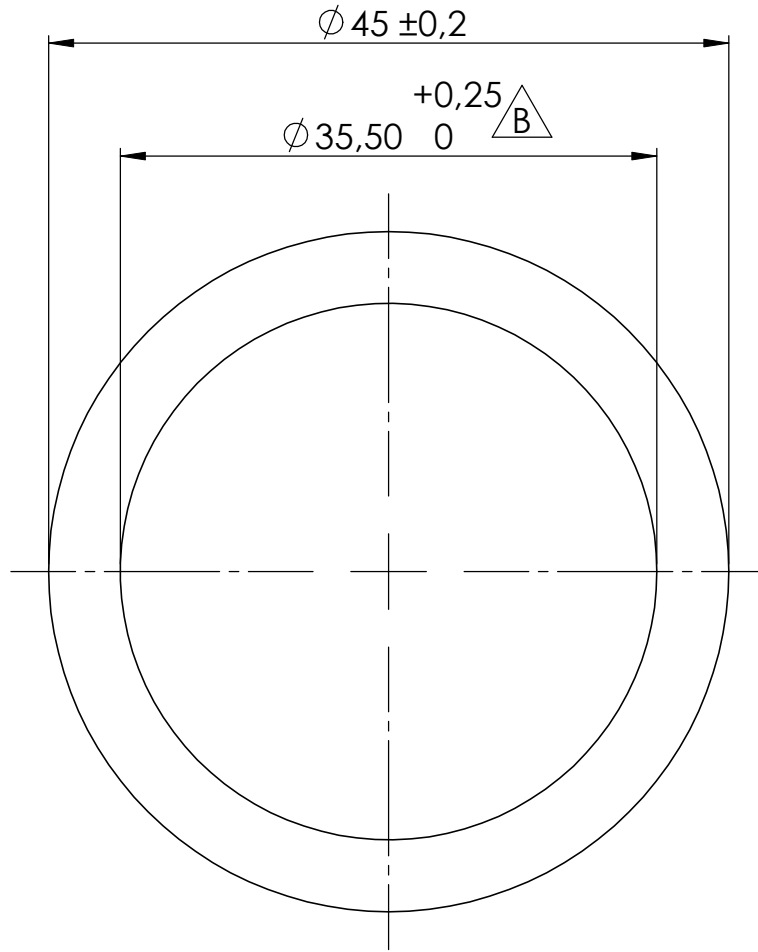
A

B

B

C

C



NOTE:

- Visible surface: All round
- Nominal area: 594mm²
- Nominal weight: 1604 g/m
- I_x: 120000 mm⁴
- I_y: 120000 mm⁴
- Perimeter: 141mm
- Material: EN-AW-6005-T6

D) PM12.019 BOV 26-02-13
 C) PM12.019 BOV 26-02-13
 B) PM05.105 WcIP 27-07-05

Scale
2:1Tolerances according to DIN-7168:
Unless otherwise specifiedSize
A3

Accuracy (mm)	0,5 to 3	>3 to 6	>6 to 30	>30 to 120	>120 to 315	>315 to 1000	>1000 to 2000	>2000 to 4000
F	±0,05	±0,05	±0,1	±0,15	±0,2	±0,3	±0,5	±0,8
M	±0,1	±0,1	±0,2	±0,3	±0,5	±0,8	±1,2	±2
C	±0,15	±0,2	±0,5	±0,8	±1,2	±2	±3	±4
V	-	±0,5	±1	±1,5	±2	±3	±4	±6

Product Group:

101 Alu gesloten profielen

Name:

Ex buis 45 x 4,75

0025470 Ex buis 45x35,5

SHEET 1 OF 1

Mods

Revision:

D