

UNSPECIFIED TOLERANCES WILL BE IN ACCORDANCE
WITH BS EN 755-9:2008

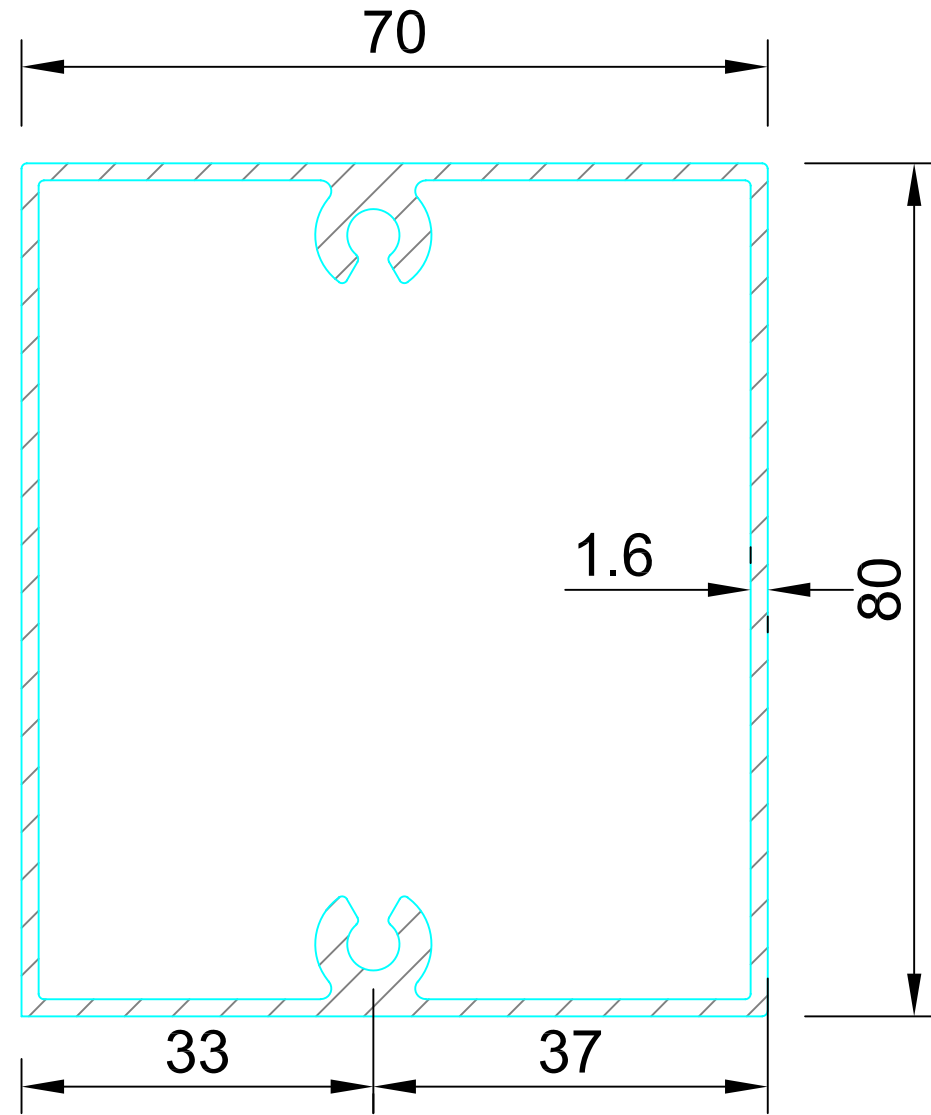
TWIST & STRAIGHTNESS :- 1.5 MM/ METERS

EXPOSE SURFACE :- -----

Tolerance on Cross Sectional CCD < 100	- 10	10--25	25--50	50--100	100--150
	+/-0.25	+/-0.3	+/-0.5	+/-0.7	---
100 < CCD < 200	+/-0.30	+/-0.4	+/-0.6	+/-0.9	+/-1.1
NOMINAL WALL THICKNESS SOLID CCD < 100	- 1.5	1.5-3.0	3.0-6.0	6.0-10.0	10.0-15.0
	+/-0.15	+/-0.15	+/-0.2	+/-0.25	+/-0.30
NOMINAL WALL THICKNESS HOLLOW CCD < 100	- 1.5	1.5-3.0	3.0-6.0	6.0-10.0	10.0-15.0
	+/-0.20	+/-0.25	+/-0.40	+/-0.60	+/-0.80

REVISION STATUS :-

Rev. DESCRIPTION



DUMMY TRANSOM

WEIGHT:- 1.617 Kg/mtr

ALLOY/TEMPER: 6063 T6

REV.	DATE	DESCRIPTION

cec CONSOLIDATED ENGINEERING COMPANY.
K-BLOCK, CHUADHARY BUILDING
CONNAUGHT CIRCUS, NEW DELHI-110001 (INDIA)
PHONE :- 23418617, 23418667, FAX :- 23418630
E-MAIL:- consolidatedgroup@vsnl.net

DRAWN BY:
DINESH JOSHI
DATE: 29.07.2023

CHECKED BY:
LALJEET BHARDWAJ
DATE:

APPROVED FOR FABRICATION:
ARJUN SHAMLAL
DATE:

DWG. TITLE DIE DRAWINGS

DESCRIPTION UNITIZED GLAZING SYSTEM

PROJECT AEROCITY DELHI

DRAWING/DIE NO.
DIE/UG/11

SCALE:
NTS

SHEET NO.
REV.
0