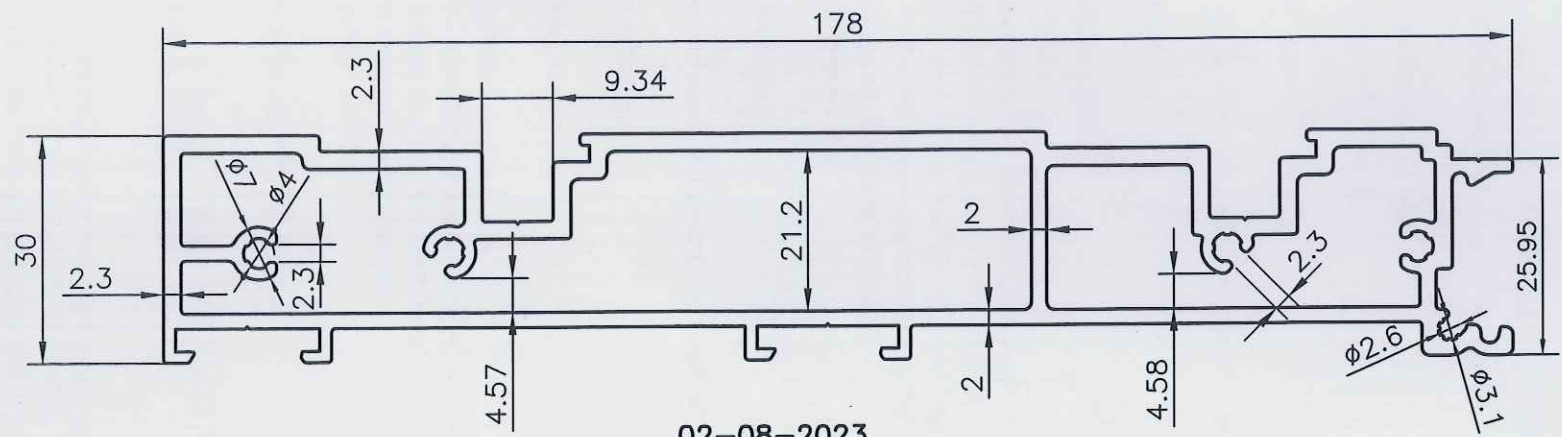


→ v12 (mktg)

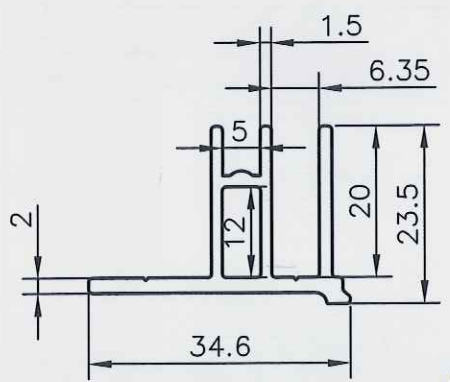


02-08-2023

Area:1152.077 Sq.mm. | Perimeter:543.021 mm. | Weight:3.111 Kg./mtr.

Alloy 6063 OK

Q00854



02-08-2023

Area:173.478 Sq.mm. | Perimeter:165.724 mm. | Weight:0.468 Kg./mtr.

Alloy 6063 ✓

OK

Q00855