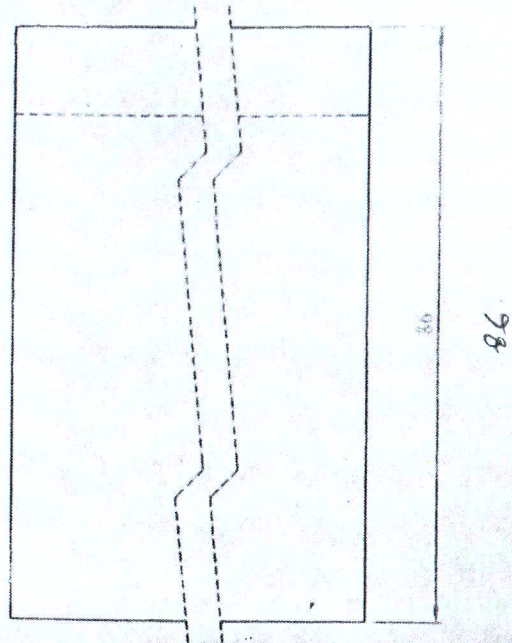
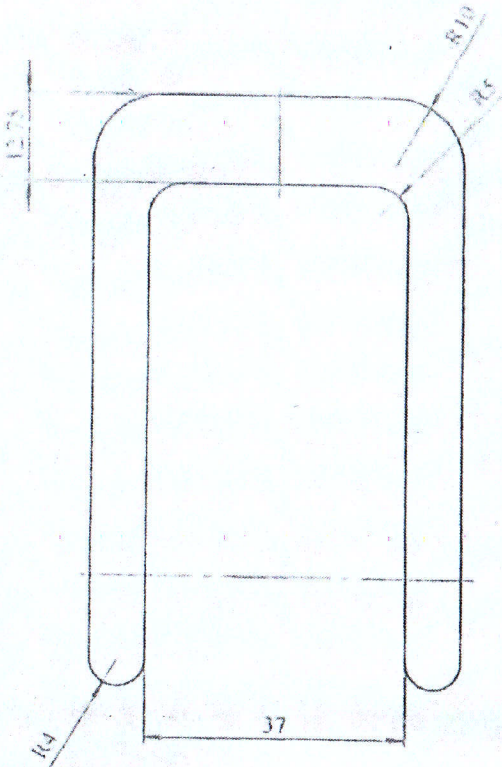
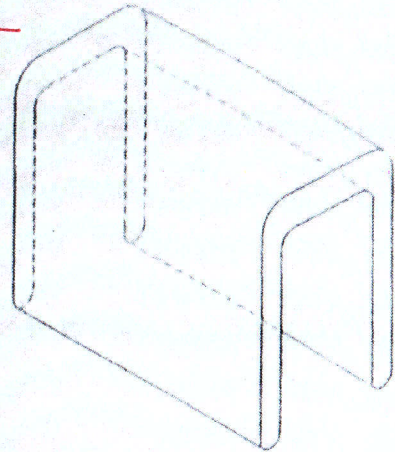


MIS. ALIMCO

Q01943

ALLOY - 6061 B WP



Q01943

This is 6061 B Alloy.
 Now we are not casting. But if orders are frequently coming then we are cast. It should be Buy 11.6.24 consumed within 3-months.
 Our casting capacity is 30 MT.

| | |
|--------------|-------------|
| FLATNESS | ±0.8mm |
| ANGULARITY | ±0.5° |
| STRAIGHTNESS | 1.7meter |
| TWIST | 1.7mm/meter |



ARTIFICIAL LIMBS MANUFACTURING CORPORATION OF INDIA (ALIMCO)

| | | | | | |
|---------|---------|-------------------------|------------|--|---|
| DRN BY | Ashwini | DT | | MATERIAL | Extruded Al. Alloy 6061-T6 (3 6061) IS 5052 |
| CHKD BY | Dr. | DT | | HEAT TRT | |
| APPD BY | SL | DT | 26.08.2023 | SUR. TRT | |
| | | IS: 2102 ISO: 2768-c | | DEBURR ALL SHARP EDGES 0.5-15° ALL DIMENSIONS ARE IN mm | |
| WEIGHT | | NOM. | | EXTRUDED AL. SECTION FOR CASTOR FORK AP48 | |
| SCALE | | DRG NO. | | | |
| SHEET | | | | | |
| REV NO | | | | | |