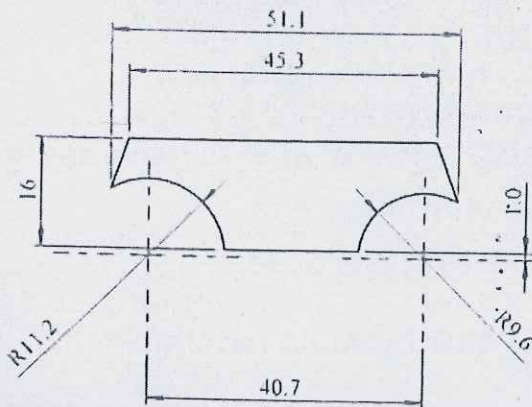
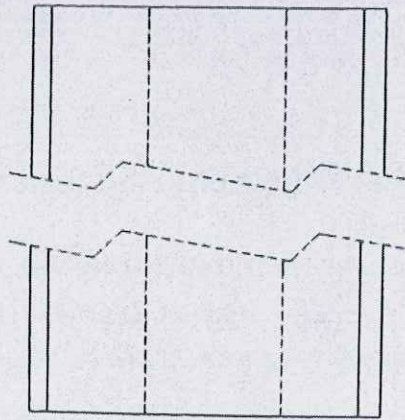

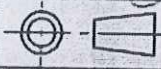


THIS DRAWING AND SPECIFICATIONS ARE THE PROPERTY OF ALIMCO AND SHALL NOT BE REPRODUCED OR COPIED WITHOUT PRIOR PERMISSION



Q01945

FLATNESS	0.8mm
ANGULARITY	±2°
STRAIGHTNESS	1.7METER
TWIST	1.7mm/METER

 ARTIFICIAL LIMBS MANUFACTURING CORPORATION OF INDIA (ALIMCO)			
DRN BY	<i>Adhik</i>	DT	
CHKD BY	<i>AD</i>	DT	
APPD BY	<i>AD</i>	DT	26-08-2023
		IS: 2102 ISO: 2768-mK	MATERIAL: EXTRUDED AL. ALLOY 65032-T6, IS 6051, IS 5052 HEAT TRT. SUR TRT.
WEIGHT		FILLET ALL SHARP EDGES R0.5	
SCALE	NTS	ALL DIMENSIONS ARE IN mm	
SHEET	1 OF 1	NOM.	EXTRUDED AL. SECTION FOR Ø22.2 TO Ø19.03 CLAMP
REV NO.		DRG NO.	