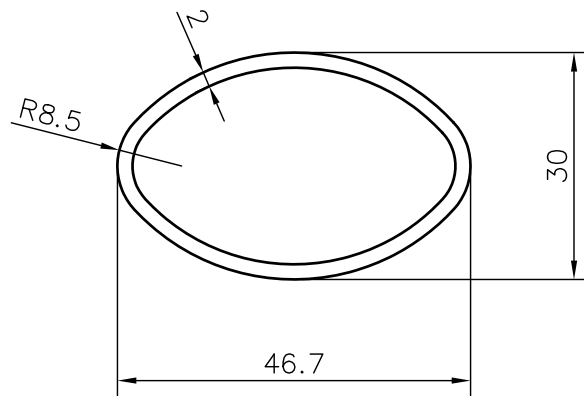


*ELECTRO SPARK*

*SAMPLE DRAWING*



*SURFACE FINISH: – MILL FINISH*