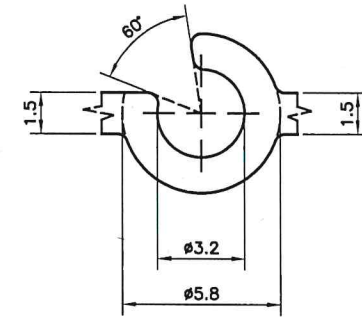
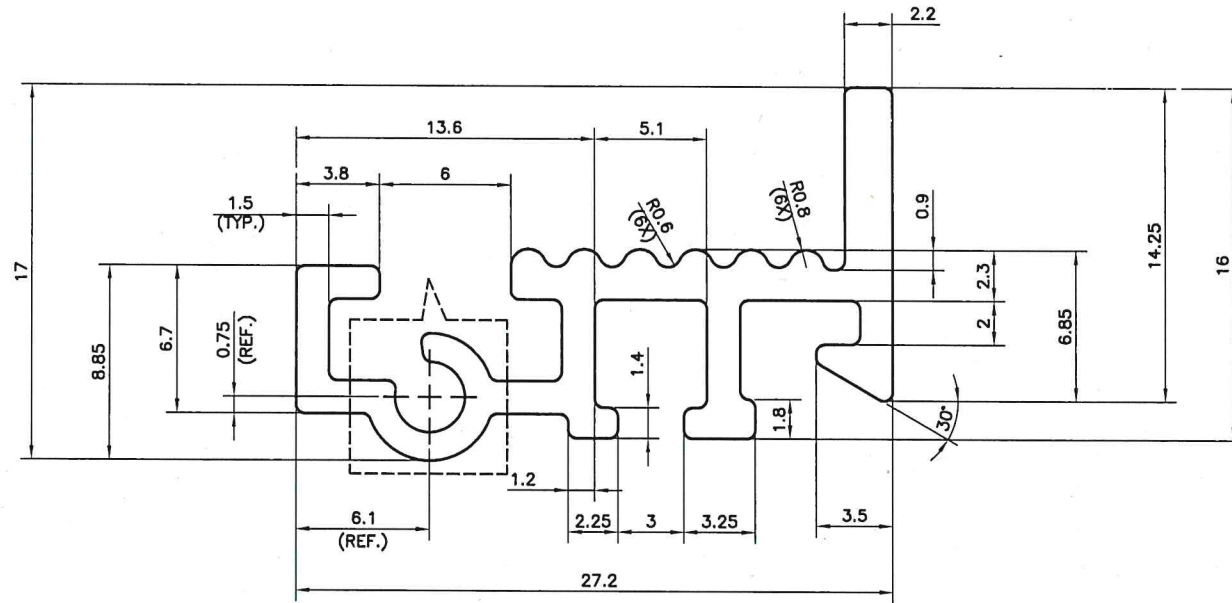


BEFORE APPROVAL CHECK ALL DIMENSIONS PROPERLY


PROPOSED DRAWING



SCALE:-1:1



DETAIL A  
SCALE 5:1

 SYMBOL OF QUALITY AN ISO 9001 COMPANY	<b>JINDAL ALUMINIUM LTD.</b> BHIWADI-301019 (INDIA)		NAME	DATE
			DRAWN	AMIT
1. ALL DIMENSIONS ARE IN mm. 2. ROUND OFF ALL SHARP CORNERS WITH 0.40 mm. 3. TOLERANCES WILL BE AS PER BS:EN-755-9, UNLESS OTHERWISE SPECIFIED			CHECKED	
			APPROVED	
PARTY'S NAME M/s. UNITED CONCEPTS & SOLUTIONS PVT. LTD.			SCALE	1:1,4:1&5:1
			AREA mm <sup>2</sup>	.118.40
PARTY'S DRAWING No. AS PER SAMPLE			PERIMETER mm.	145.88
			WEIGHT kg/m	0.320
ALLOY & TEMPER 6063-T6			DRAWING No.	SECTION No.
DESCRIPTION -				