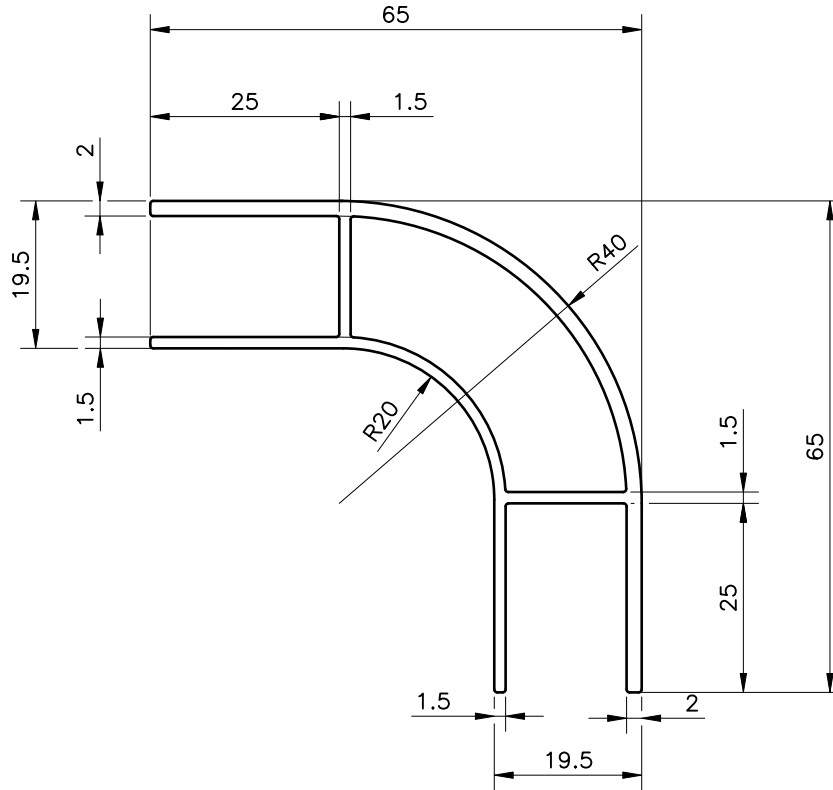


BEFORE APPROVAL CHECK ALL DIMENSIONS PROPERLY

PROPOSED DRAWING

Q00358



SYMBOL OF QUALITY  
AN ISO 9001 COMPANY

**JINDAL ALUMINIUM LTD.**  
*BHIWADI-301019 (INDIA)*

	NAME	DATE
DRAWN	ASHUTOSH	27-01-2023
CHECKED		
APPROVED		

1. ALL DIMENSIONS ARE IN mm.
2. ROUND OFF ALL SHARP CORNERS WITH 0.40 mm.
3. TOLERANCES WILL BE AS PER BS:EN-755-9 , UNLESS OTHERWISE SPECIFIED

SCALE	1:1
AREA mm <sup>2</sup>	395.90
PERIMETER mm.	332.70
WEIGHT kg/m	1.070
DRAWING No.	SECTION No.

PARTY'S NAME	M/s. ZENMO PVT. LTD.
PARTY'S DRAWING No.	AS PER DRAWING Q00358
ALLOY & TEMPER	6063-T6
DESCRIPTION	CHANNEL