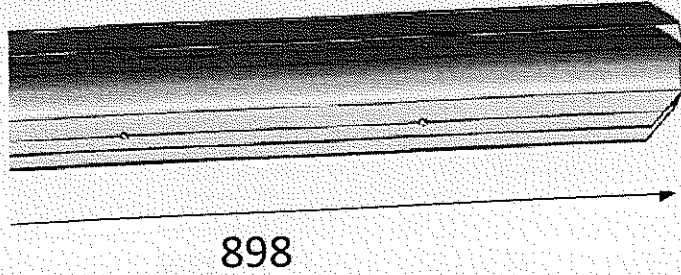
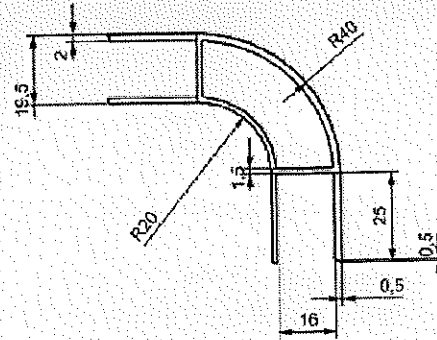


Top extrusion



898

7

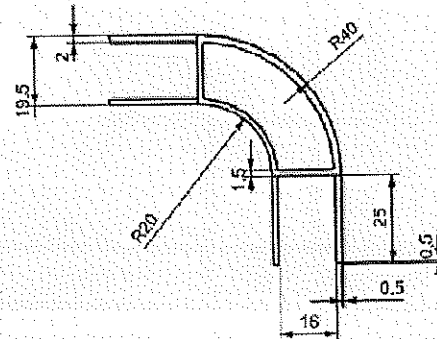


Part size – 898 X 65 X 65 mm  
Part thickness- 1.5-2 mm  
Part qty - 2

Bottom extrusion



648



Part size – 648 X 65 X 65 mm  
Part thickness- 1.5-2 mm  
Part qty - 2