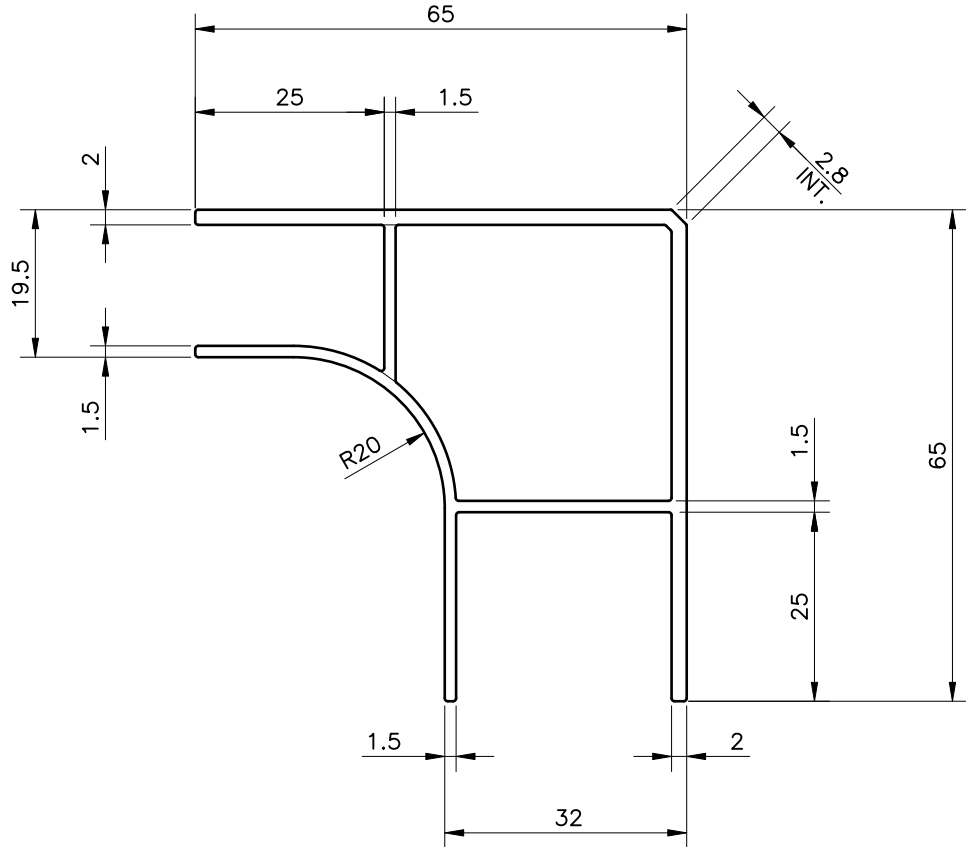


BEFORE APPROVAL CHECK ALL DIMENSIONS PROPERLY

PROPOSED DRAWING

Q00359



SYMBOL OF QUALITY
AN ISO 9001 COMPANY

JINDAL ALUMINIUM LTD.
BHIWADI-301019 (INDIA)

| | NAME | DATE |
|----------|----------|------------|
| DRAWN | ASHUTOSH | 27-01-2023 |
| CHECKED | | |
| APPROVED | | |

1. ALL DIMENSIONS ARE IN mm.
2. ROUND OFF ALL SHARP CORNERS WITH 0.40 mm.
3. TOLERANCES WILL BE AS PER BS:EN-755-9 , UNLESS OTHERWISE SPECIFIED

| | |
|----------------------|-------------|
| SCALE | 1:1 |
| AREA mm ² | 434.10 |
| PERIMETER mm. | 352.10 |
| WEIGHT kg/m | 1.172 |
| DRAWING No. | SECTION No. |

| | |
|---------------------|-----------------------|
| PARTY'S NAME | M/s. ZENMO PVT. LTD. |
| PARTY'S DRAWING No. | AS PER DRAWING Q00359 |
| ALLOY & TEMPER | 6063-T6 |
| DESCRIPTION | - |

| | |
|---|--|
| - | |
| | |
| | |
| | |