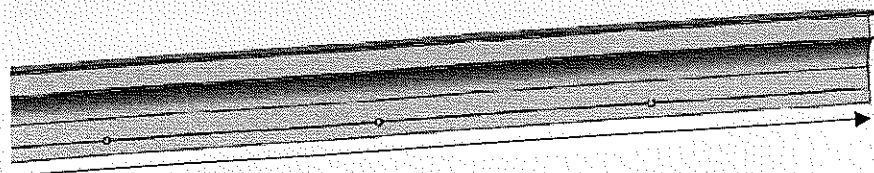
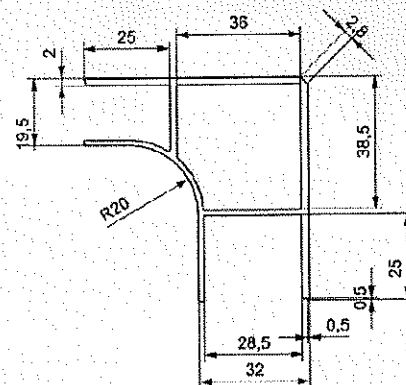


bottom extrusion

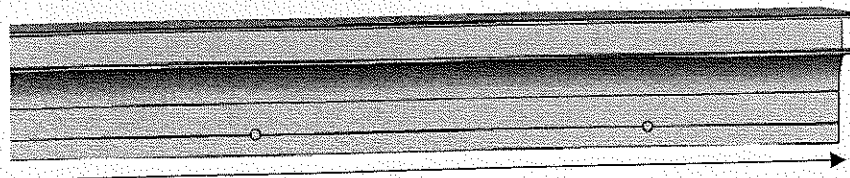


898

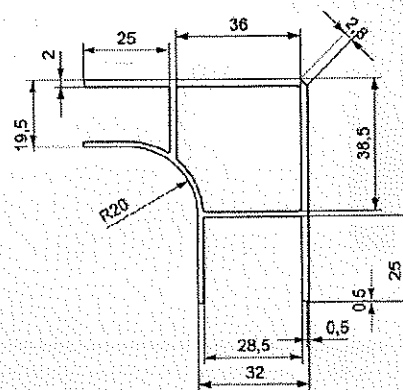


Part size – 898 X 65 X 65 mm  
Part thickness- 1.5-2 mm  
Part qty - 2

side extrusion



598



Part size 598X 65 X 65 mm  
Part thickness- 1.5-2 mm  
Part qty - 2