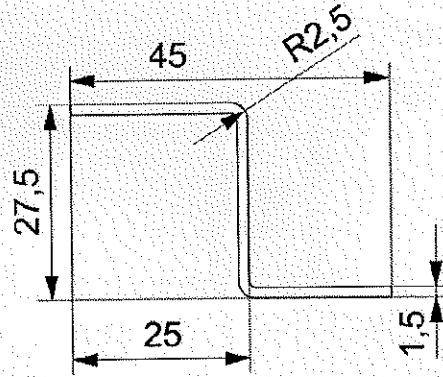
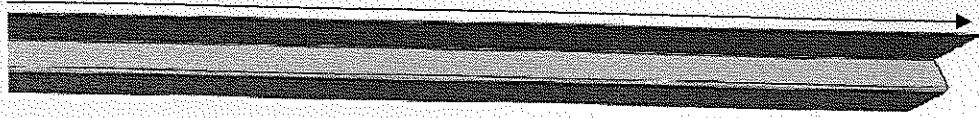


xtrusion

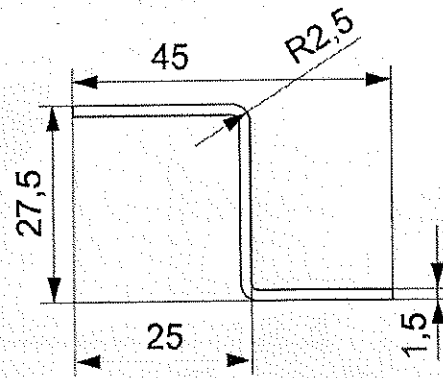
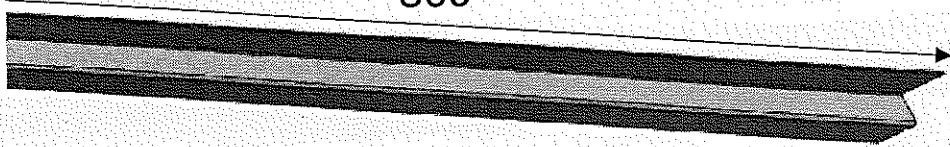
894



Part size – 894 X 45 X 2  
Part thickness- 1.5 mm  
Part qty - 2

trusion

866



Part size – 866 X 45 X 2  
Part thickness- 1.5 mm  
Part qty - 2