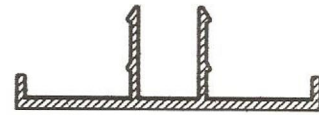
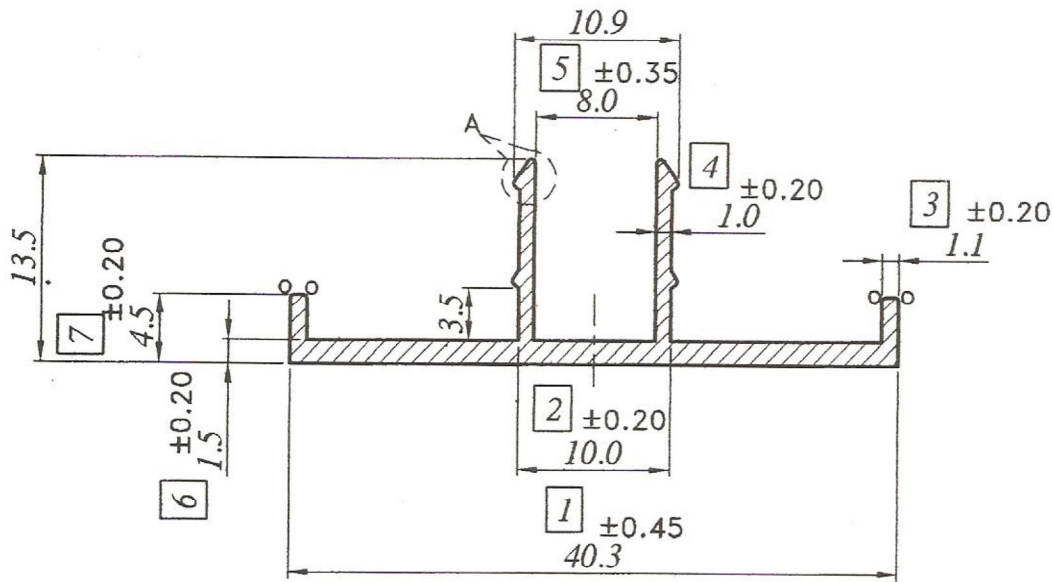


DETAIL AT- A



ACTUAL SIZE



**CONTROLLED**  
13/11/09

LOCATION:-P2 - 2HOLE

ALL DIMENSION ARE IN M.M.

UNSPECIFIED CORNER RADIUS:0.40

TOL. AS PER B.S.1474:1987  
UNLESS SPECIFIED

TWIST = 1/4°/300M.M.M.  
STRAIGHTNESS = 1.5 M.M./MTR.  
ANGULARITY = ±2°

**JINDAL ALUMINIUM LTD. BHIWADI - 301019**

PARTY SAMPLE & DRG. DRG. PARTY NAME M/S S.M.W. REF:-AS PER FAX. ON Dt-13.12.08

				DRAWN	DHARMVIR	31.12.08	AREA	92.00	MM <sup>2</sup>
				CHECKED	<i>S.S.</i>	13.1.08	WEIGHT	0.248	KG/M.
				APPROVED	<i>S.S.</i>	13.1.08	WT. RANGE	-----	Kg/12'
				SCALE	1:1,2:1&4:1	DATE	ALLOY	6063	

00 (REF.) CRITICAL DIM. \* MAL NO 10889

REV. STATUS	REV. NO.	DESCRIPTION	SIGN DATE	PERIMETER	INT.	320.00	SEC.NO.	D-4565
		REVISION			EXT.	144.00		