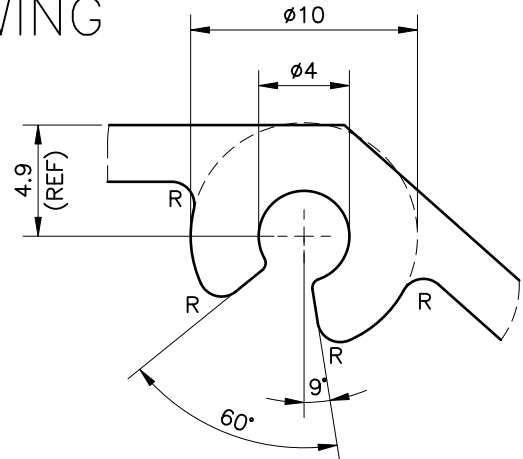
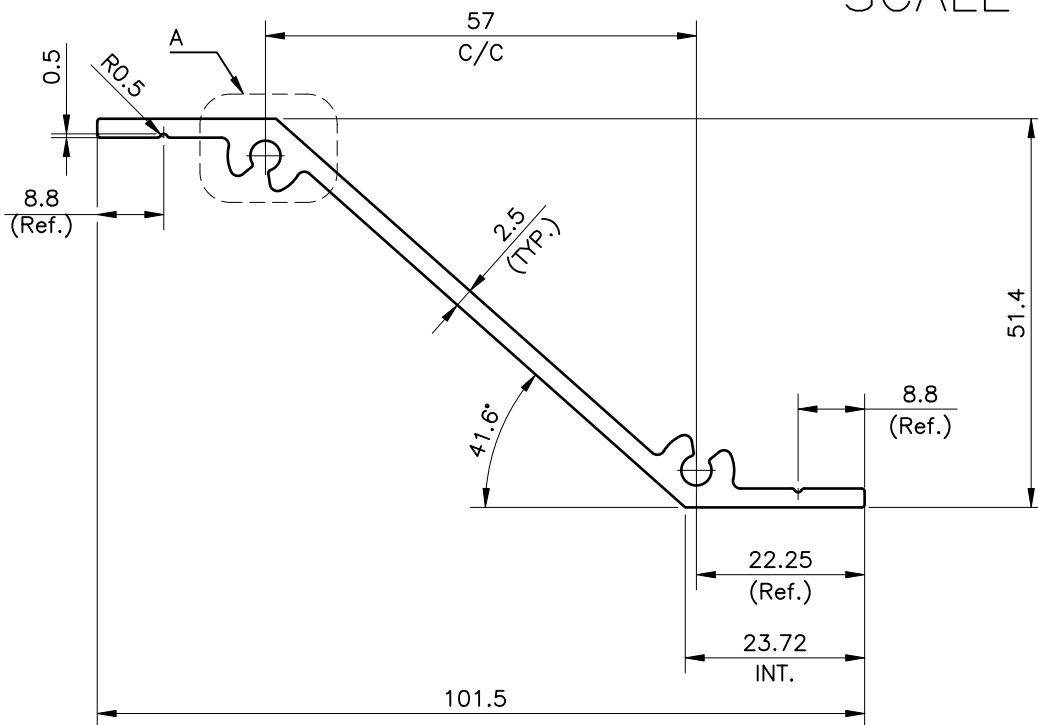


BEFORE APPROVAL CHECK ALL DIMENSIONS PROPERLY

PROPOSED DRAWING



DETAIL A
SCALE 3:1



NOTE:
R=1.00R



SYMBOL OF QUALITY
AN ISO 9001 COMPANY

JINDAL ALUMINIUM LTD.
BHIWADI-301019 (INDIA)

	NAME	DATE
DRAWN	ASHUTOSH	20-01-2023
CHECKED		
APPROVED		

1. ALL DIMENSIONS ARE IN mm.
2. ROUND OFF ALL SHARP CORNERS WITH 0.40 mm.
3. TOLERANCES WILL BE AS PER BS:EN-755-9 , UNLESS OTHERWISE SPECIFIED

SCALE	1:1&3:1
AREA mm ²	360.12
PERIMETER mm.	273.50
WEIGHT kg/m	0.972
DRAWING No.	SECTION No.

PARTY'S NAME	GENERAL SECTION, DELHI MARKET
PARTY'S DRAWING No.	AS PER DRAWING (21472)
ALLOY & TEMPER	HE9 WP
DESCRIPTION	LOUVER SECTION
