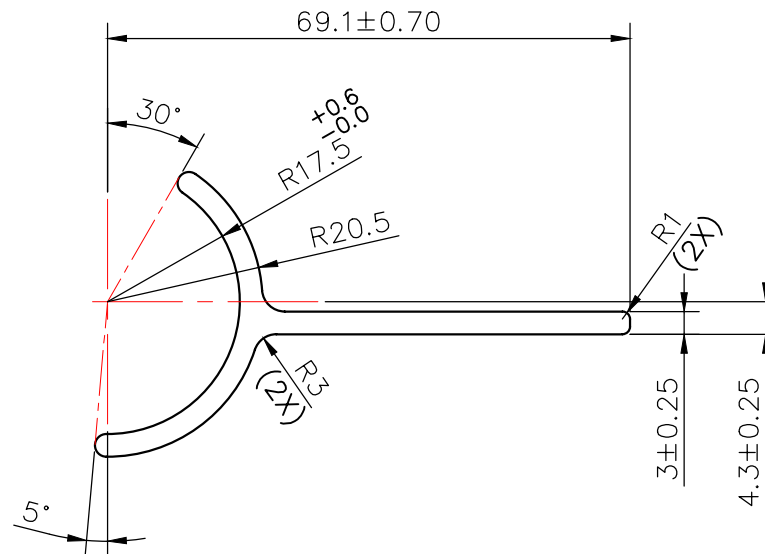




JINDAL ALUMINIUM LTD.
BHIWADI-301019 (INDIA)

PROPOSED DRAWING
09.08.2023

Q00868



ALLOY -6063 T6

Area: 301.028 Sq.mm.
Perimeter: 201.08mm.
Weight: 0.813 Kg./mtr.

CUSTOMER NAME :- MACRO AUTO TECH.