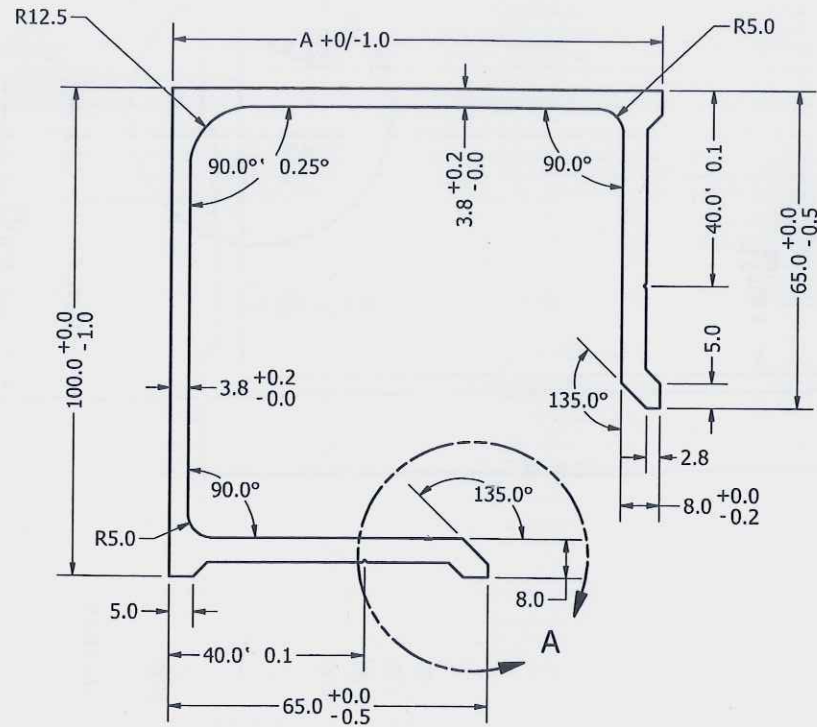


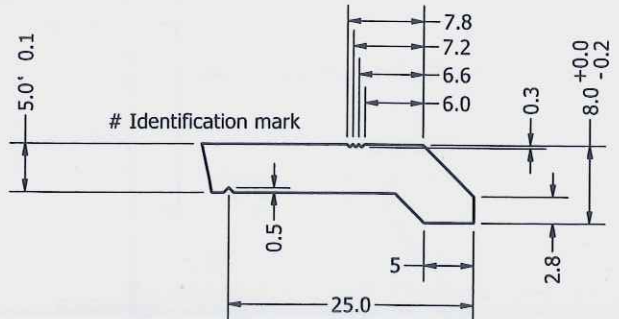
6 5 4 3 2 1



S. No.	Final Size, Extrusion IC 100 X A, mm	Wt. of Extrusion Section Kg / Running meter	JAL SECTION
1	IC 100 X 100 <i>001952</i>	3.858	N.A
✓ 2	IC 100 X 125	4.109	P-JAL-B-590
3	IC 100 X 150 <i>001953</i>	4.365	N.A
4			

No. 1 & 3
PENDING

- NOTE -
- 1) All dimensions are in mm.
 - 2) Material: Aluminum Alloy 6061 T6, unless otherwise specified.
 - 3) All extrusion shall conform to BS-EN 755-9: 2001
 - 4) Angular Tolerances $\alpha = 0.25^\circ$ Degree
 - 5) All extrusion, that will be supplied, shall be with Test Certificate & patrol inspection report.



DETAIL A
SCALE 2 : 1

REVISION HISTORY				
ZONE	REV	DESCRIPTION	DATE	APPROVED
	R2			

DRAWN	SSJ	12-04-2023	SB SCAFFOLDING (INDIA) PVT. LTD.	
CHECKED			TITLE	
QA			IC Sections 65 x 100 X A mm	
MFG			SIZE	
APPROVED			A3	DWG NO
			IC Section 100x100 to 150	
			SCALE	REV
			1 : 1	R2
			SHEET 1 OF 1	

6 5 4 3 2 1