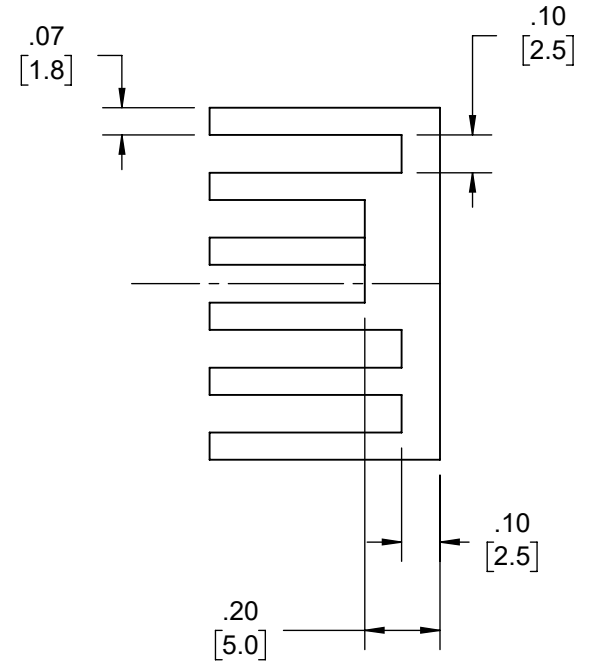
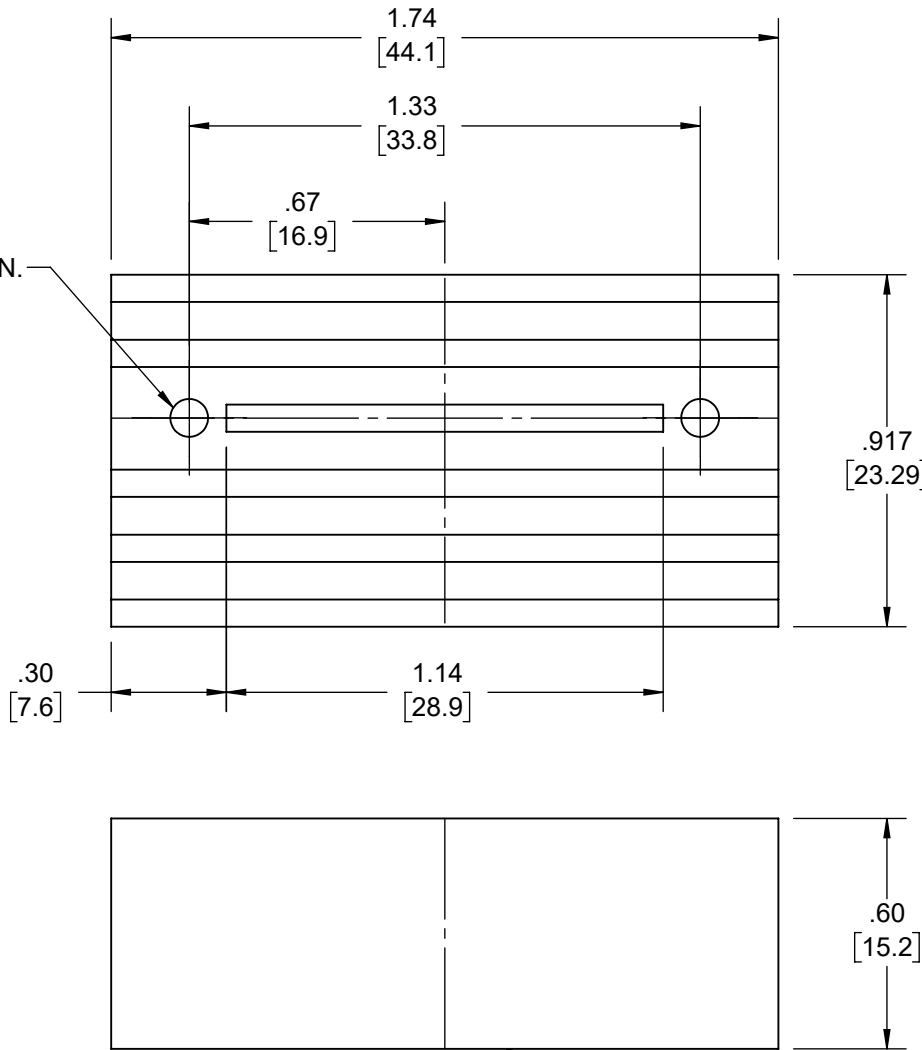


**FOR PROTOBUILD**

2X .098[2.5]  
M3X0.5-6G ∇ .250[6.35]MIN.



.002[.05]

DRAWING REVISION <b>B</b>	REVISION BY <b>NPS</b>	REV DATE/© DATE <b>03/29/2022</b>	TOLERANCES (EXCEPT AS NOTED): DEC. INCH mm ANGLE .X ±0.1 [±3] ±0.5° .XX ±0.02 [±0.5] .XXX ±0.005 [±0.13] .XXXX ±0.0005 [±0.013] REMOVE BURRS & BREAK SHARP EDGES: .003/.015 [.08/.38] X 45° CORNER FILLETS: R.02 [.5] MACHINED SURFACES: 125/ 3.2/ INCH mm mm DIMENSIONS IN [BRACKETS] ARE FOR REFERENCE ONLY	DRAWN BY <b>NPS</b>	Regal Beloit America, Inc.
REQUEST NUMBER	APPROVED BY	DATE		DATE <b>03/15/2022</b>	
REQUEST NUMBER DESCRIPTION <b>UPDATED FIN THK AND FIN TO FIN GAP</b>				APPROVED BY	DESCRIPTION <b>HEAT SINK</b> GPM 5.8
COPYRIGHT (PER REVISION DATE) REGAL BELOIT AMERICA, INC. ALL RIGHTS RESERVED. PROPRIETARY AND CONFIDENTIAL INFORMATION - THIS DOCUMENT IS THE PROPERTY OF REGAL BELOIT AMERICA, INC. ("OWNER") AND CONTAINS OWNER'S PROPRIETARY INFORMATION. ANY PERSON, CORPORATION OR OTHER FIRM RECEIVING IT IS DEEMED, BY RECEIVING IT, TO AGREE THAT IT, AND/OR ANY PART OF IT, SHALL NOT BE DISCLOSED TO ANY PERSON, CORPORATION OR OTHER ENTITY, DUPLICATED, AND/OR USED, EXCEPT AS EXPRESSLY APPROVED IN WRITING IN ADVANCE BY OWNER. THIS DOCUMENT SHALL BE RETURNED TO OWNER UPON REQUEST. IT MAY BE SUBJECT TO CERTAIN RESTRICTIONS UNDER APPLICABLE EXPORT CONTROL LAWS AND REGULATIONS.				DATE	MATERIAL <b>ALUMINUM</b>
			REFERENCE	PROCESS/FINISH	
			THIRD ANGLE PROJECTION	SIZE <b>A</b>	DRAWING NUMBER <b>X-0017715 B</b>
					SHEET <b>1 OF 1</b>